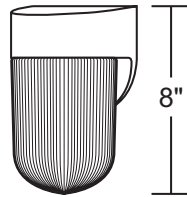


OUTDOOR WALL FIXTURE 209/210



4 1/2"

EXTENDS:
5 3/4"

H/CTR:
2 3/8"

BACKPLATE:
4 3/4" x 4 1/2"

Wave Lighting's 209/210 adds a contemporary look to any outdoor space. This fixture can be used to comply with 2016 Title 24 Part 6 High Efficacy LED Light Source Requirements. Wave Lighting's 209/210 is designed for wall applications and mounting hardware is included. Options include photocell.

LED SOURCE OPTIONS

LIGHTWAVE LED - LR/LT

- 120V, 50/60 Hz
- AC Driver-On-Board Array
- Estimated 50,000 Hrs L₇₀
- Low Flicker (LT models)
- Surge Supression
- Dimmable (see compatible dimmer list)
- High Efficacy LED Light Source
- 3000K or 4000K CCT; 80 or 90CRI
- 5 Year Warranty
- Energy Star

LED MULTI-VOLT SYSTEM - L11

- 120-277V, 50/60Hz
- Estimated 50,000 Hrs L₇₀
- 4000K CCT 80CRI
- 3 Year Warranty
- Energy Star

E26 REPLACEABLE LED - LE26

- 120V, 50/60Hz
- "Screw-In" Medium Base A19/E26 LED Lamp
- Estimated 15,000 Hrs L₇₀
- Low Flicker (3K models)
- Dimmable (see compatible dimmer list)
- 3000K CCT 90CRI or 4000K CCT 80CRI
- 3 Year Warranty
- Energy Star



SPECIFICATIONS

- Black or White
- Mounting Hardware Included
- Clear Prismatic Diffuser
- Wall Mount Only
- Minimum Starting Temp -20°F
- UL Listed for Wet Locations

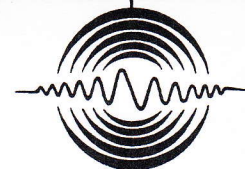
GUIDE: 209-WH-LE26W

CALL FOR PHOTOMETRIC INFORMATION

ITEM #	LENS	COLOR	LIGHT SOURCE	OPTION
209	ACRYLIC Clear Prism	BK-Black WH-White	INCANDESCENT (1) 60W MAX Medium Base	PC-Photocell (NOT AVAILABLE W/ L11)
			LED LIGHT SOURCE	
LIGHTWAVE LED		CCT		
LR12-13W 1000lm 80CRI		C-4K		
LT12-12W 1040lm 90CRI		W-3K		
210	Opal		LED MULTI-VOLT SYSTEM	4K
			L11-11W 912lm	
			E26 REPLACEABLE LED	C-4K
LE26-10W 800lm		W-3K		

★ Lamp Included Energy Star Qualified Product

REFER TO CATALOG FOR OPTION SPECIFICATIONS - Specifications subject to change without notice - FIXTURE SPEC 1/19



BALLABS CERTIFIED TEST REPORT NO.: 16692.1 A DATE 05/29/12
 PREPARED FOR: WAVE LIGHTING - CUYAHOGA FALLS, OH
 DESCRIPTION: 4 LED 11W 900 LUMEN LED MODULE WALL MNT AREA LUMINAIRE
 4"DIA WHITE ACRYLIC DIFFUSER 6"DEEP
 IG900-DMV-1 WATTS=11.14

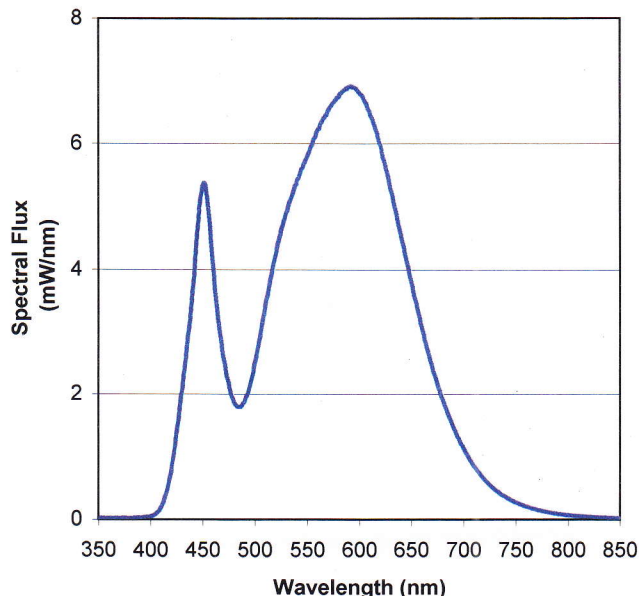
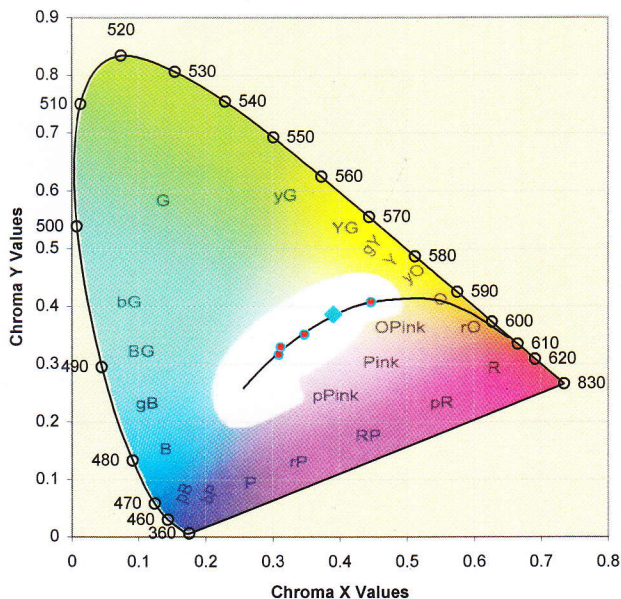
CATALOG NBR: 210-XX-L11
 LAMP TYPE : CREE XTE

RATED LUMENS NA. NBR. LAMPS:- 1

Lamp Voltage V	Lamp Current A	Lamp Watts W
120.0	0.135	11.14
Luminous Flux (Lumens)	Luminous Efficacy LPW	Power Factor
398	35.7	0.69
Chroma x	Chroma y	Color Rend Index
0.3916	0.3862	79.9
Chroma u	Chroma v	Corr Color Temp (K)
0.2286	0.3382	3780.2

Wavelength (nm)	Spectral Flux mW/nm	Wavelength (nm)	Spectral Flux mW/nm
350	0.0278	610	6.5060
360	0.0220	620	6.0016
370	0.0224	630	5.3316
380	0.0231	640	4.5795
390	0.0311	650	3.8371
400	0.0499	660	3.1044
410	0.1839	670	2.4661
420	0.7655	680	1.9372
430	1.9671	690	1.5028
440	3.4650	700	1.1484
450	5.2949	710	0.8689
460	4.1898	720	0.6547
470	2.6485	730	0.4891
480	1.8987	740	0.3729
490	1.8744	750	0.2826
500	2.4558	760	0.2157
510	3.3587	770	0.1640
520	4.2297	780	0.1239
530	4.8793	790	0.0950
540	5.3480	800	0.0726
550	5.7763	810	0.0553
560	6.2065	820	0.0426
570	6.5253	830	0.0330
580	6.7386	840	0.0263
590	6.9081	850	0.0194
600	6.8246		

Chromaticity Diagram CIE 1931 2 Degree



Data collected utilizing a Labsphere integrating sphere and 2100 spectroradiometer. Calibration of the spectroradiometer-sphere is traceable to the National Institute of Standards and Technology.



[Handwritten Signature]

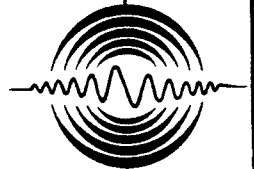
NVLAP LAB CODE 200921-0

Kelly Lerbs
Vice President

SIGNIFICANCE OF THE TEST IS LIMITED TO THE DEGREE THAT THE TESTED SAMPLE IS REPRESENTATIVE. OTHER FACTORS AFFECT FIELD PERFORMANCE.

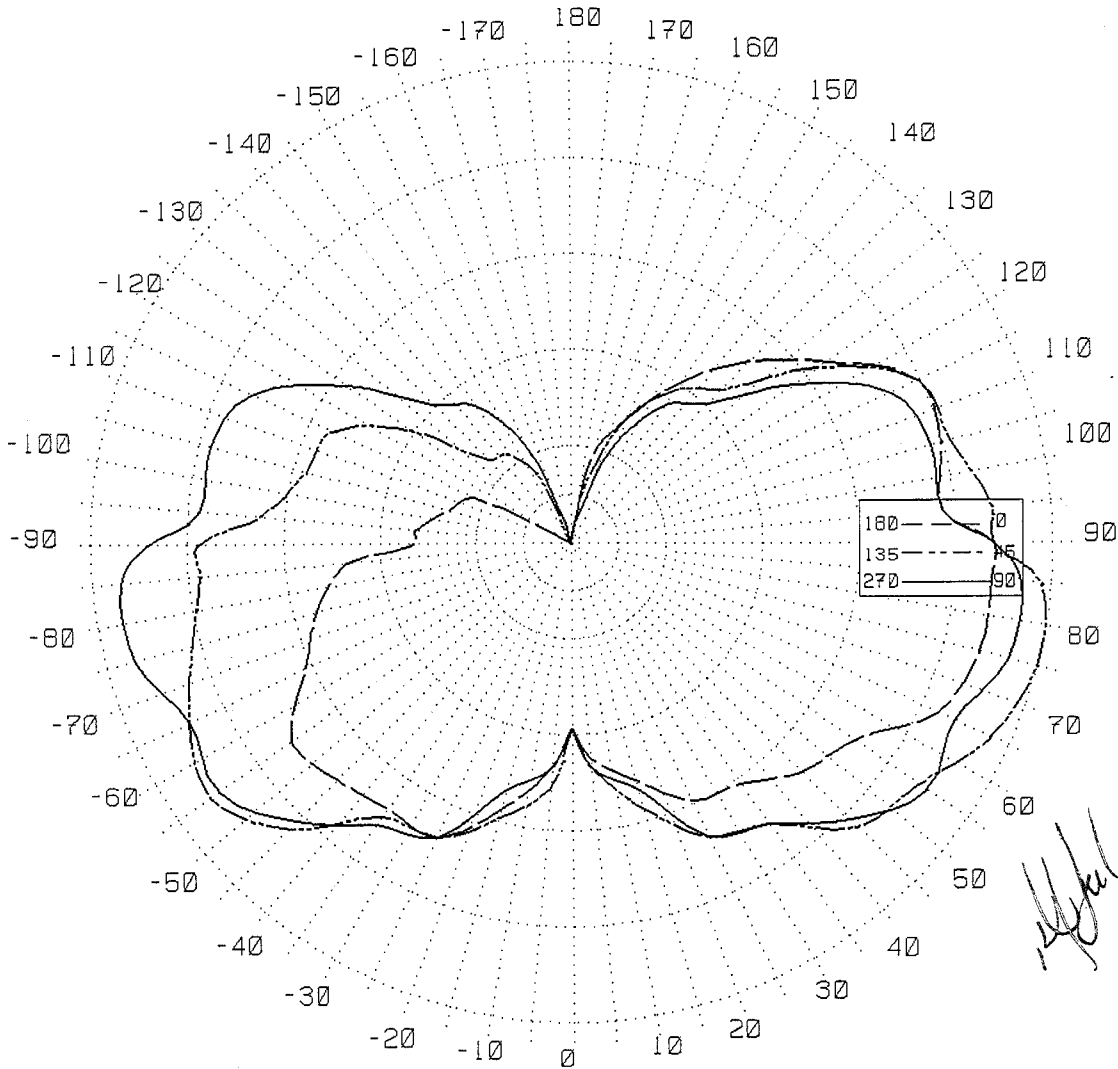
BUILDING ACOUSTICS & LIGHTING LABORATORIES, INC.

1618 HEADLAND DR.
 FENTON, MO 63026
 (636) - 343-6006
 (636) - 343-6051 FAX



BALLABS CERTIFIED TEST REPORT NO.: 16692.1 DATE 05/29/12
 PREPARED FOR: WAVE LIGHTING - CUYAHOGA FALLS, OH
 DESCRIPTION: 4 LED 11W 900 LUMEN LED MODULE WALL MNT AREA LUMINAIRE
 4"DIA WHITE ACRYLIC DIFFUSER 6"DEEP
 IG900-DMV-1 WATTS=11.14
 CATALOG NBR: 210-XX-L11
 LAMP TYPE : CREE XTE RATED LUMENS NA. NBR. LAMPS:- 1

0 DEGREE PLANE CONTAINS MAXIMUM CANDLEPOWER



LUMEN SUMMARY							
ZONE	LUMENS	%LAMP	%FIXT	ZONE	LUMENS	%LAMP	%FIXT
0- 30	25.	NA.	6.3	90-120	107.	NA.	26.9
0- 40	47.	NA.	11.7	90-130	128.	NA.	32.2
0- 60	116.	NA.	29.1	90-150	149.	NA.	37.4
0- 90	244.	NA.	61.3	90-180	154.	NA.	38.7
TOTAL LUMINAIRE = 0-180					398.	NA.	100.0

SIGNIFICANCE OF THE TEST IS LIMITED TO THE DEGREE THAT THE TESTED SAMPLE IS REPRESENTATIVE. OTHER FACTORS AFFECT FIELD PERFORMANCE.

BALLABS CERTIFIED TEST REPORT NO.: 16692.1 DATE 05/29/12
 PREPARED FOR: WAVE LIGHTING - CUYAHOGA FALLS, OH
 DESCRIPTION: 4 LED 11W 900 LUMEN LED MODULE WALL MNT AREA LUMINAIRE
 4"DIA WHITE ACRYLIC DIFFUSER 6"DEEP
 IG900-DMV-1 WATTS=11.14
 CATALOG NBR: 210-XX-L11
 LAMP TYPE : CREE XTE RATED LUMENS NA. NBR. LAMPS:- 1

CANDLEPOWER DISTRIBUTION
 0 DEGREE PLANE CONTAINS MAXIMUM CANDLEPOWER

VERT	HORIZONTAL									LUMENS		TOTAL
	.0	22.5	45.0	67.5	90.0	112.5	135.0	157.5	180.0	FRONT	BACK	
0	19.	19.	19.	19.	19.	19.	19.	19.	19.			
5	22.	22.	23.	25.	23.	24.	25.	23.	23.	1.1	1.1	2.3
10	24.	23.	27.	26.	25.	25.	28.	28.	25.			
15	25.	26.	28.	28.	26.	30.	29.	29.	28.	3.9	4.2	8.0
20	29.	24.	30.	28.	27.	28.	29.	27.	31.			
25	29.	31.	33.	33.	33.	33.	33.	32.	33.	7.4	7.5	14.9
30	26.	30.	33.	34.	33.	33.	34.	32.	31.			
35	30.	33.	35.	35.	35.	34.	34.	35.	33.	10.7	10.8	21.5
40	33.	35.	38.	38.	38.	39.	39.	36.	36.			
45	33.	39.	41.	40.	40.	43.	41.	38.	34.	15.2	15.6	30.8
50	36.	39.	44.	45.	43.	43.	44.	38.	36.			
55	35.	43.	43.	46.	44.	46.	45.	38.	35.	19.8	18.7	38.5
60	38.	43.	47.	43.	45.	46.	42.	36.	33.			
65	41.	43.	47.	44.	43.	45.	43.	34.	30.	21.4	19.5	41.0
70	38.	44.	47.	48.	44.	44.	40.	30.	26.			
75	43.	44.	49.	45.	46.	46.	40.	32.	27.	23.4	20.5	43.9
80	43.	50.	50.	50.	45.	50.	43.	31.	26.			
85	43.	43.	48.	48.	46.	43.	38.	26.	23.	24.6	18.8	43.4
90	43.	47.	43.	46.	43.	44.	38.	25.	16.			
95	38.	42.	43.	43.	38.	40.	32.	22.	16.	23.0	16.9	40.0
100	40.	43.	44.	40.	39.	39.	31.	19.	14.			
105	39.	41.	40.	41.	38.	37.	28.	17.	13.	21.6	14.1	35.7
110	36.	37.	41.	37.	37.	36.	29.	15.	5.			
115	39.	38.	39.	37.	36.	35.	27.	17.	11.	18.5	13.0	31.6
120	31.	34.	34.	30.	29.	28.	21.	11.	2.			
125	32.	30.	31.	30.	28.	26.	20.	8.	1.	13.5	7.6	21.1
130	26.	23.	25.	23.	20.	18.	13.	4.	0.			
135	26.	23.	22.	23.	20.	17.	12.	1.	0.	9.0	3.6	12.6
140	23.	23.	23.	20.	19.	16.	11.	4.	0.			
145	20.	18.	19.	17.	17.	12.	11.	4.	0.	5.5	2.4	7.9
150	17.	14.	13.	14.	11.	9.	4.	0.	0.			
155	14.	15.	14.	10.	11.	9.	7.	1.	0.	2.8	1.1	3.9
160	14.	11.	12.	9.	9.	6.	0.	1.	0.			
165	9.	8.	6.	5.	2.	4.	0.	0.	0.	.9	.3	1.2
170	3.	2.	4.	3.	1.	0.	0.	0.	0.			
175	0.	0.	0.	0.	0.	0.	0.	0.	0.	.0	.0	.0
180	0.	0.	0.	0.	0.	0.	0.	0.	0.			

USE .000 FT. AS LENGTH AND .500 FT. AS WIDTH

BALLABS CERTIFIED TEST REPORT NO.: 16692.1 DATE 05/29/12
PREPARED FOR: WAVE LIGHTING - CUYAHOGA FALLS, OH
DESCRIPTION: 4 LED 11W 900 LUMEN LED MODULE WALL MNT AREA LUMINAIRE
4"DIA WHITE ACRYLIC DIFFUSER 6"DEEP
IG900-DMV-1 WATTS=11.14
CATALOG NBR: 210-XX-L11
LAMP TYPE : CREE XTE RATED LUMENS NA. NBR. LAMPS:- 1

LUMINOUS EFFICACY (LUMENS / WATTS) = 35.7

TESTED IN ACCORDANCE WITH CURRENT IES STANDARDS
UTILIZING ABSOLUTE PHOTOMETRY PER LM-79-08

