



GENERAL DESCRIPTION

AL-4LEDICATR4 is designed for remodel applications and suitable for use in ceiling where the housing can be direct contact with insulation. Remodel housing install into existing drywall or wood ceiling with no above access. Air tight construction reduces energy costs by reducing the amount of air leakages through the ceiling.

JUNCTION BOX

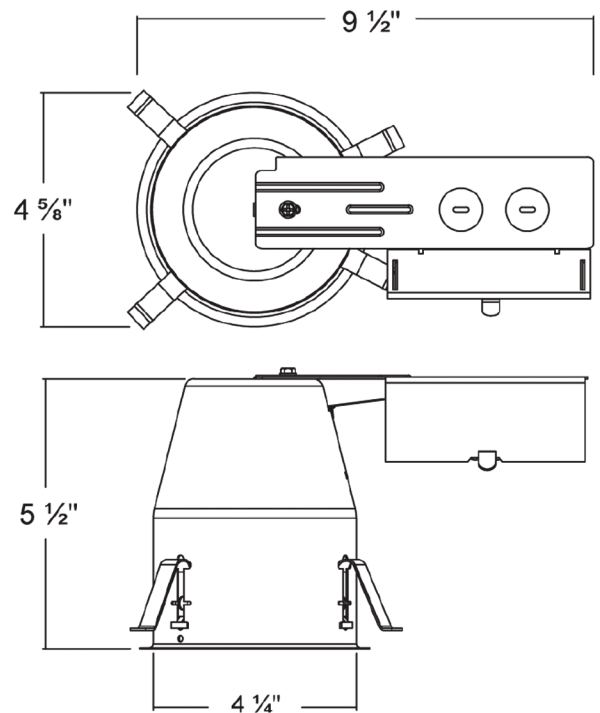
- Listed for through branch circuit wiring.
- Contains one 1-1/8", six 7/8" knockouts and four Romex pryouts with strain relief.

REMODEL CLIPS

- Four remodel clips secure housing and accommodates 1/2" and 5/8" ceiling materials.

LISTINGS

- cULus Listed for Feed Through
- cULus Listed for Damp Location
- Certified under ASTM-E283 for Air tight construction
- Meets state of California title 24 requirement



LIGHTING UP THE WORLD
WITH ONE BULB AT A TIME!