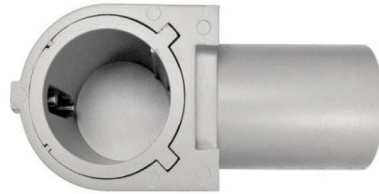
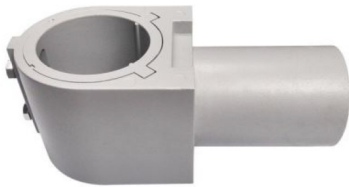


## Round Post Top Adaptor



### 2.5 inches of installation

LED Street Light connector:

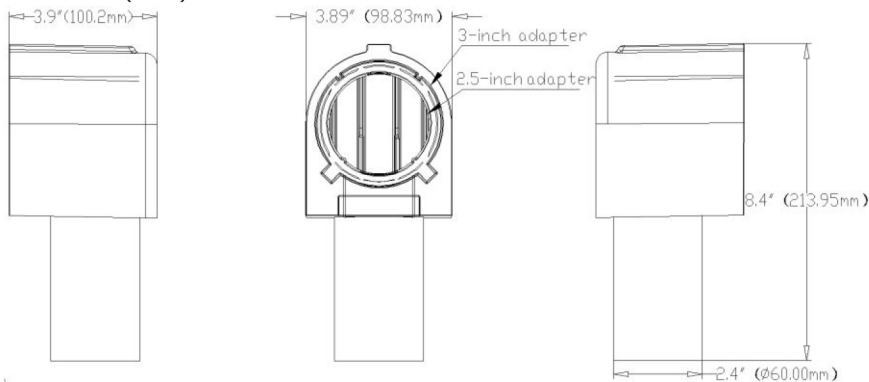
1. Transfer the 2.5-inch adapter to the 3-inch adapter.
2. Reconnect the adapter to the 2.5-inch lamppost.

### MOUNTING

- LED Street Light connector Provide two different installation methods:
- 1. 2.5 inch installation.
- 2. 3 inch of installation.

### 1. Specifications

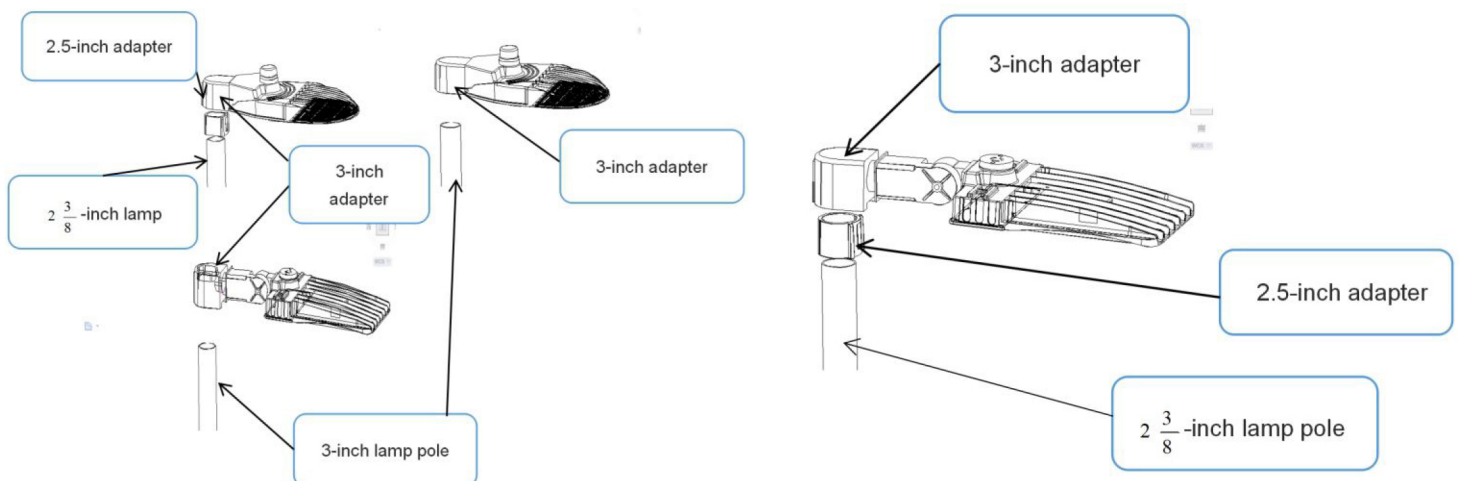
Unit : inch(mm)



### Structure Features

- Shell materials: Die casting aluminum
- Finish: Silver/Dark Bronze/White
- Net weight : 1.75Kg (3.86 lbs)
- Product Size: 213.95mm\*98.83mm\*100.2mm
- Carton Size: 220mm\*114mm\*114mm

### 2. Installation diagram



### 3. inches of installation Put the adapter on the 3-inch lamppost