



AL-LFP6-KFS

6" FLAT PANEL - KFS



FEATURES

- Field selectable 2700k (soft white), 3000k (warm white), 3500k (warm/neutral white), 4000k (neutral white), and 5000k (cool white) color temperatures.*
- Long-life LEDs provide at least 70% of initial lumen output (L_{70}) for 173,000 hours of operation.**
- Color rendering index (Ra) > 90.
- 1,000 nominal lumens.
- 15 nominal watts.
- 120 AC voltage (60Hz) is standard.
- Power factor > 0.90.
- Total harmonic distortion < 20%.
- Triac dimming.
- Aluminum housing.
- Easy installation in new construction or retrofit applications.
- Compatible with 6.30" ceiling cut-outs.
- Type IC. Access above ceiling required.
Covered ceiling mount only.

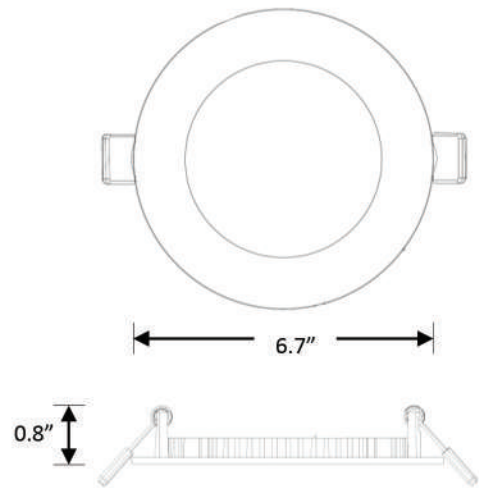
WARRANTY & LISTINGS

- cETLus listed for wet locations not exceeding 45°C (113°F).
- Energy Star certified.
- Compatible for new construction and retrofit applications.
- Complies with FCC Part 15, class B.
- Complies with EN61000-4-5 surge protection (0.5kV).
- 5-year warranty of all electronics and housing.

* Contact factory for other color temperatures and lumen packages.
** L_{70} hours are IES TM-21-11 calculated hours.



DIMENSIONS:



Weight: 0.5 lbs.

ORDERING INFORMATION

Example: AL-LFP6-KFS

Series	Color Temperature
AL-LFP6-KFS	Selectable CCT
	2700k
	3000k
	3500k
	4000k
	5000k