

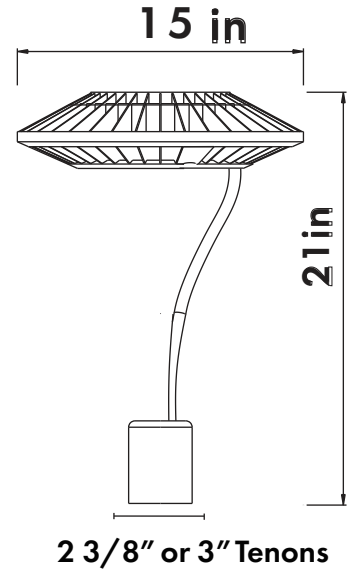
PST Series Single Arm Post Top

Features

- Single arm style post top
- Durable aluminum housing with black powder coat finish
- Vandal resistant UV Stabilized polycarbonate lens
- Two color temperature selectable 4000K/5000K
- Wattage selectable 50W/70W
- Fit 3" or 2 3/8" post top tenon
- Type V distribution
- Compatible with 3 pin twist lock photocell



Dimension



Product Performance Standard

Size	W15in X L21IN	Power Factor	>0.9
Weight	10LB	LED Lifespan	50,000 Hrs
Mounting	Pole Mount	Dimmable	0-10V Dimming
Color Temp	4000K/5000K	Efficacy	130lm/W
CRI	70	Warranty	5 Years
Input Voltage	120-277V	Ambient Operation Temperature	-30C° (-22°F) ~40C° (104°F)

Ordering Guide Example: LEDPST 50W 50K

Fixture Type	Wattage	Color Temp.	Voltage	Finish	Optional Accessories
AL-LPST	50W 70W	2CCT = 2 Color temperature adjustable 4000K/5000K	Blank = 120-277V	Blank = Black	Blank = No Accessories ¹ PC = Photocell (-ALPC)

Notes: 1. Photocell option, consult the factory for the availability.

PST Series Single Arm Post Top

Product Information

4000K			5000K	
WATTAGE	LUMEN	EFFICACY	LUMEN	EFFICACY
70W	9100lm	130lm/W	9150lm	130lm/W
50W	6450lm	129lm/W	6500lm	130lm/W

Optional Accessories



Twist Lock Photocell

-SKU: ALPC

-3 PIN twist lock photocell is field installed or pre-installed by request.
