
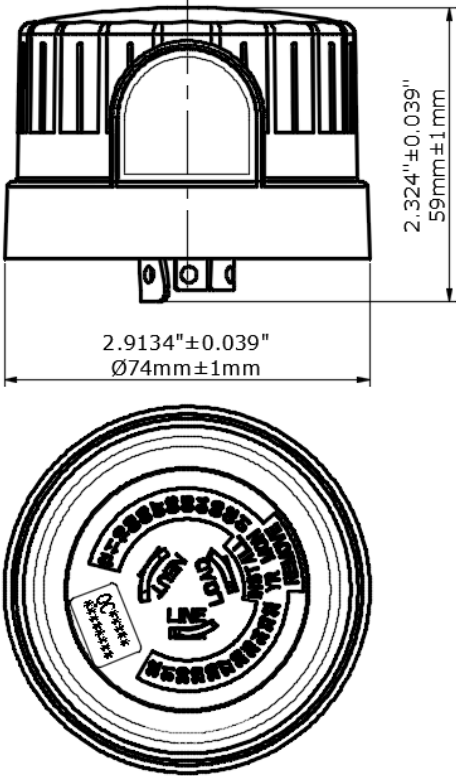


1. Appearance and Dimensions

Appearance	Dimensions
	 <p>2.324" ± 0.039" 59mm ± 1mm</p> <p>2.9134" ± 0.039" Ø74mm ± 1mm</p>

2. Technical Parameters

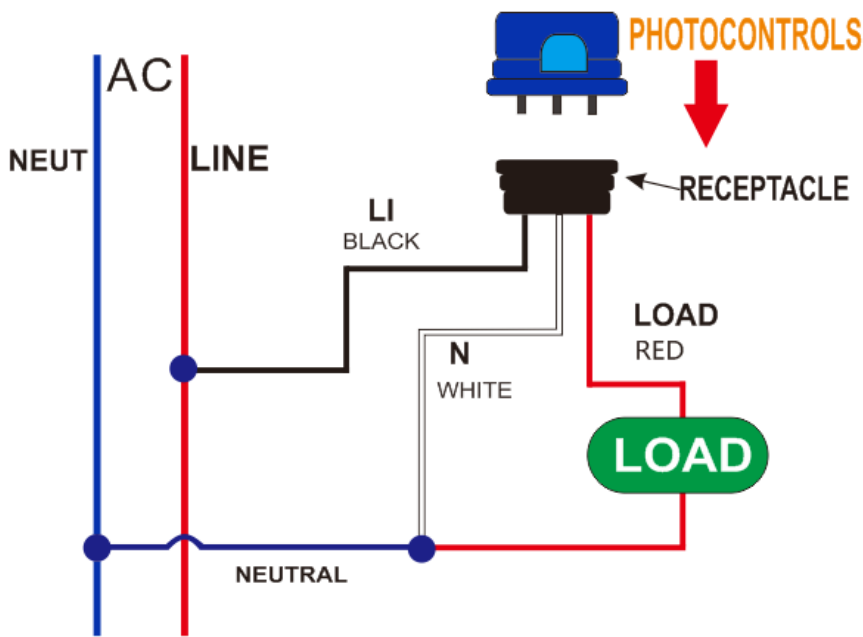
TECHNICAL DATA	OFFERED
Reference/ Applicable Standards	ANSI C136.10, UL773 and NEMA
Technical Parameters	
Voltage Rating	120-277VAC (Applicable to 105-305VAC)
Rated Frequency	50/60 Hz
Load Rated	1000 W, Tungsten 1800 VA, Standard Ballast (HID) 5 A, Electronic Ballast (LED)
Relay	15A
Power Consumption	≤ 1 W
Electrical life	>5000 cycles
Operating Temperature	-40°C to +70°C
Dielectric Resistance	2000V/1 Minute
Moisture Level	95% Relative Humidity @ 40 °C
MOV Joule (Energy) Rating, joules	380J (Peak Current 8/20us I _{max} ×1=10000A)
IP Rating	IPX6
Failure Mode	Fail-OFF
Operating light levels (Lux)	Turn-On [10~16 Lux] , Turn-Off <65 Lux
Turn-On/Turn-Off Ratio	1 : 1.5~3
Time Delay (off only)	2-10 Seconds

Cover Material	Blue, UV-stabilized PC
Base Material	PBT
Connection:	3 pole locking type with brass contacts
Gasket	Silicone rubber
Light Sensor	Silicon Photosensor
Photocontrol minimum skirt diameter	74 mm

3. Packaging Requirements

Item	Packaging	Dimension	Quantity
Inner box	/	7.3×7.3×6 cm	1PC
Master carton	/	38.5×31×32 cm	100PCS

4. Wiring Diagram



5. Quality Disclaimer

The quality control objective of defective rate for this product is $\leq 0.2\%$ (two in a thousand). CQC should be exempt from responsibility for defects within this quality objective range.