



GENERAL DESCRIPTION

IC type housing for LED Retrofit Kits, remodeling. For installation where the housing will be in direct contact with insulation and for remodel applications.

JUNCTION BOX

- Listed for through branch circuit wiring.
- Contains seven 7/8", one 1-1/8" knockouts and four Romex plyouts with strain relief.

REMODEL CLIPS

- Four remodel clips secure housing and accommodates 1/2" and 5/8" ceiling materials.

CEILING THICKNESS

- Housing adjusts from 5/8" to 1-3/8" to accommodate various ceiling thickness.

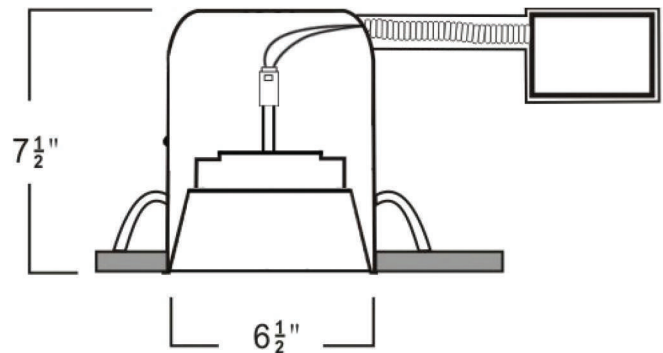
THERMAL PROTECTOR

- Self resetting thermal protector deactivates fixture if overheating occurs due to improper lamping or misapplied insulation.

LISTINGS

- cUL Listed for Damp Location
- cUL Listed for Feed Through
- Certified under ASTM-E283 for Air Tight construction.

SKU: AL-6LEDR



LIGHTING UP THE WORLD
WITH ONE BULB AT A TIME!