



## GENERAL DESCRIPTION

The AL-DBLED Slim series offers a slim and stylish design, making it the perfect fixture for offices, hospitals, and other commercial interior areas where space is limited. Its dual lens design helps illuminate spaces evenly, and the clear prismatic lens helps prevent direct contact to the LED modules. We offer the AL-DBLED in both 2' x 2' and 2' x 4', and also available in multiple lumen options. This direct/indirect LED fixture can be placed on a traditional office T-rail that makes installation quick and easy.

## APPLICATION

Retail, Offices, etc.

## SPECIFICATION FEATURES

<b>Input Voltage</b>	<b>120-277V</b>
<b>Input Frequency</b>	<b>50/60 Hz</b>
<b>Rated Wattage</b>	<b>See Performance Data</b>
<b>Delivered Lumens</b>	<b>See Performance Data</b>
<b>Efficacy</b>	<b>&gt; 110 LPW</b>
<b>CRI</b>	<b>&gt; 80</b>
<b>Available CCT</b>	<b>3500K, 4000K, 5000K</b>
<b>Color Consistency</b>	<b>5-step MacAdam Ellipse</b>
<b>Rated Life</b>	<b>&gt; 50,000 hours</b>
<b>Ambient Temp.</b>	<b>-20°C to 50°C</b>
<b>Power Factor</b>	<b>&gt; 0.92</b>
<b>THD</b>	<b>&lt; 20%</b>
<b>Dimming</b>	<b>0-10V Continuous (10-100%)</b>

### Mounting

Grid ceiling mounted. The edge design provides mounting into standard 1" and 9/16" tee bars or screw slot grids.

### Certification

DLC, UL Listed. All components have UL certification. Protection Grade IP20.

### Warranty

7-year Limited Warranty. See warranty documentation for more information.

### Construction

Durable post painted steel housing with white matte finish and Polycarbonate lens.

### ORDERING OPTIONS

AL-DBLED	24	/ 40	- 50	[Blank]	[Blank]	Options
<b>Series</b>	<b>Form Factor</b>	<b>Rated Wattage</b>	<b>Color Temp</b>	<b>Lens Difuser</b>	<b>Dimming</b>	<b>Emergency Backup</b>
AL-DBLED	22 2x2 24 2x4	2x2 24 24W 36 36W 2x4 40 40W 50 50W	35 3500K 40 4000K 50 5000K	Blank Frosted	Blank 0-10V	EM  <b>Accessories</b> MS Microwave Sensor

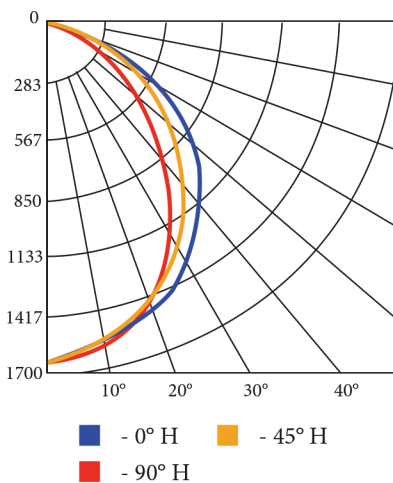
### PERFORMANCE DATA

#### AL-DBLED22

Lens Type	Form Factor	Catalog No.	Rated Wattage (W)	3500K		4000K		5000K	
				Delivered Lumens (lm)	Efficacy (lm/W)	Delivered Lumens (lm)	Efficacy (lm/W)	Delivered Lumens (lm)	Efficacy (lm/W)
Frosted Lens	2x2	AL-DBLED22	24	2,642	110.1	2,642	110.1	2,642	110.1
		AL-DBLED22	36	3,960	110.1	3,960	110.1	3,960	110.1

### PHOTOMETRIC DATA

#### AL-DBLED22/36-40



#### Coefficients of Utilization - Zonal Cavity Method

Effective Floor Cavity Reflectance: 20%

RCC%α	80				70				50			
	70	50	30	0	70	50	30	0	50	30	20	
RW%α:	1.19	1.19	1.19	1.19	1.16	1.16	1.16	1.00	1.11	1.11	1.11	
RCR: 0	1	1.10	1.05	1.01	.98	1.07	1.03	.99	.86	.99	.96	.93
1	1.00	.93	.86	.81	.98	.91	.85	.74	.87	.82	.78	
2	.92	.82	.74	.68	.89	.80	.73	.63	.77	.71	.66	
3	.84	.73	.65	.58	.82	.72	.64	.55	.69	.62	.57	
4	.78	.66	.57	.51	.76	.64	.56	.48	.62	.55	.50	
5	.72	.59	.51	.45	.70	.58	.50	.43	.57	.49	.44	
6	.67	.54	.46	.40	.65	.53	.45	.38	.52	.44	.39	
7	.63	.49	.41	.35	.61	.49	.41	.35	.47	.40	.35	
8	.59	.45	.37	.32	.57	.45	.37	.31	.44	.37	.32	
9	.55	.42	.34	.29	.54	.42	.34	.29	.41	.34	.29	
10												

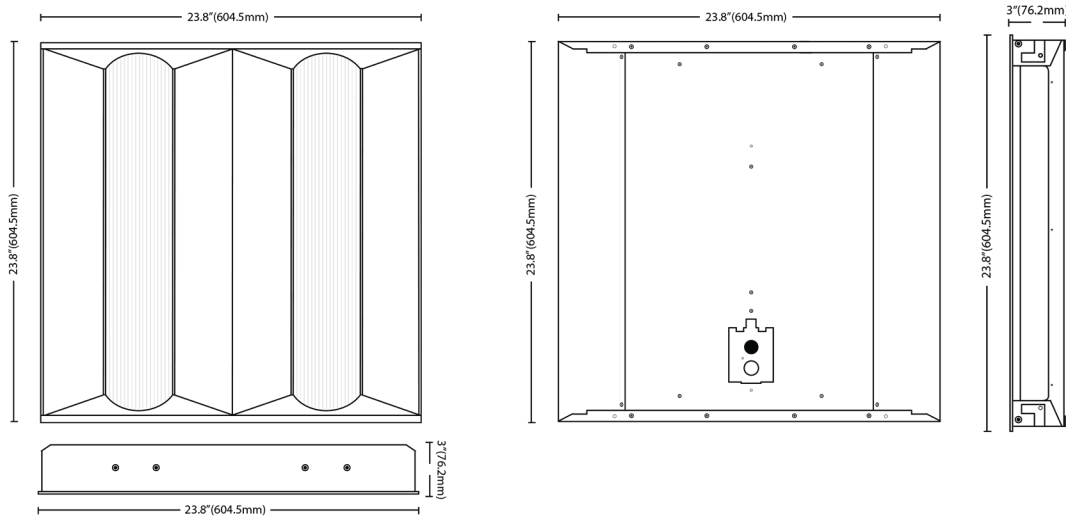
#### Zonal Lumen Summary

Zone	Lumens	%Lamp	%Luminaire
0-30	1,227.4	31.5%	31.5%
0-40	2,168.0	50.3%	50.3%
0-60	3,805.3	83.4%	83.4%
60-90	932.2	16.6%	16.6%
0-90	4,737.4	100%	100%

LIGHTING UP THE WORLD  
WITH ONE BULB AT A TIME!

### DIMENSIONS

### AL-DBLED22



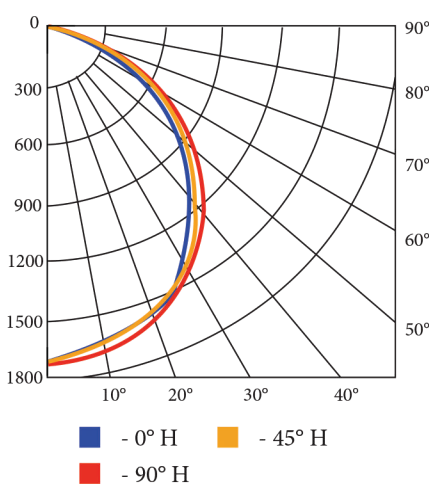
### PERFORMANCE DATA

### AL-DBLED24

Lens Type	Form Factor	Catalog No.	Rated Wattage (W)	3500K		4000K		5000K	
				Delivered Lumens (lm)	Efficacy (lm/W)	Delivered Lumens (lm)	Efficacy (lm/W)	Delivered Lumens (lm)	Efficacy (lm/W)
Frosted Lens	2x4	AL-DBLED24	40	4,950	123.8	4,950	123.8	4,950	123.8
		AL-DBLED24	50	6,190	123.8	6,190	123.8	6,190	123.8

### PHOTOMETRIC DATA

### AL-DBLED24/40-40



#### Coefficients of Utilization - Zonal Cavity Method

Effective Floor Cavity Reflectance: 20%

RCC%:	80				70				50		
RW%:	70	50	30	0	70	50	30	0	50	30	20
RCR: 0	1.19	1.19	1.19	1.19	1.16	1.16	1.16	1.00	1.11	1.11	1.11
1	1.09	1.04	1.00	.96	1.06	1.02	.98	.85	.98	.95	.92
2	.99	.91	.84	.79	.97	.89	.83	.72	.86	.80	.76
3	.90	.80	.72	.65	.88	.78	.71	.61	.75	.69	.64
4	.83	.71	.62	.56	.81	.70	.61	.53	.67	.60	.54
5	.76	.63	.54	.48	.74	.62	.54	.46	.60	.53	.47
6	.70	.57	.48	.42	.68	.56	.48	.40	.54	.47	.41
7	.65	.52	.43	.37	.64	.51	.43	.36	.49	.42	.36
8	.61	.47	.39	.33	.59	.47	.38	.32	.45	.38	.33
9	.57	.43	.35	.30	.55	.43	.35	.29	.42	.34	.29
10	.53	.40	.32	.27	.52	.39	.32	.26	.38	.31	.27

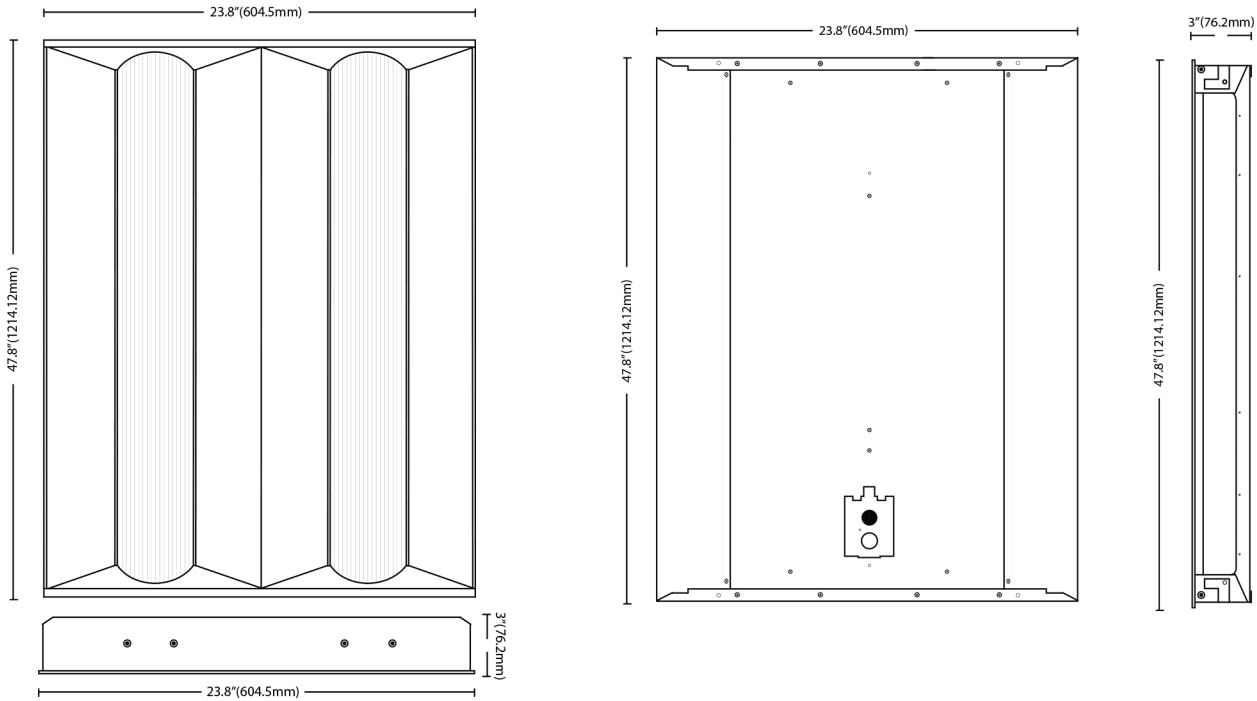
#### Zonal Lumen Summary

Zone	Lumens	%Lamp	%Luminaire
0-30	1,323.9	27.9%	27.9%
0-40	2,168.0	45.8%	45.8%
0-60	3,805.3	80.3%	80.3%
60-90	932.2	19.7%	19.7%
0-90	4,737.4	100%	100%

LIGHTING UP THE WORLD  
WITH ONE BULB AT A TIME!

### DIMENSIONS

### AL-DBLED24



LIGHTING UP THE WORLD  
WITH ONE BULB AT A TIME!