



FEATURES

- Lumileds LED, high luminous efficiency and long working life.
- High efficiency LED Driver, the wide range input voltage AC100-277V.
- Die Cast aluminium cooling design, high quality and better cooling for LED $T_j < 85^{\circ}\text{C}$.
- Excellent Optics design, greatly improve the light utilization and evenness.

APPLICATION

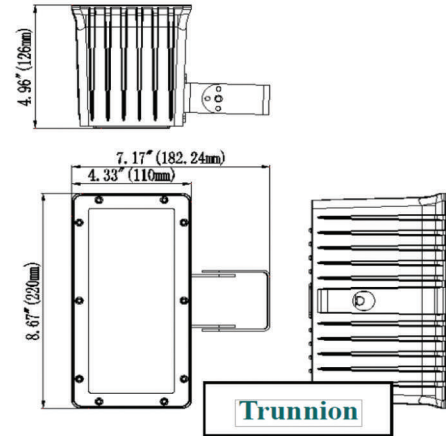
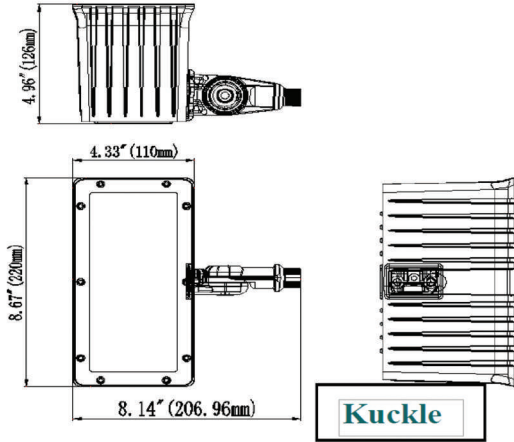
APEXLIGHTING LED Flood Lighting series can be widely used in indoor or outdoor lighting (Wet location), Excellent for Museums, Art Galleries, Shopping Malls, Office Buildings, The lawn, Walls, and many more applications.

ELECTRIC CHARACTERISTIC

AL-FL07W27-50K-D-K			
Power	70W	Lighting Angle	80°
Input Voltage	AC100-277V	LED Brightness Decay	<5%/6000 hrs
PF	>0.95	Working Life	>50000 hrs
Driver Efficiency	>90%	Working Temperature	-30 - +45°C
Luminous Flux	8400Lm	Storage Temperature	-40 - +80°C
Color Temperature	4000K/5000K	Protection Level	Wet Location/IP65
CRI	Ra>70	Cable	Input Connect, 0.3m

LIGHTING UP THE WORLD
WITH ONE BULB AT A TIME!

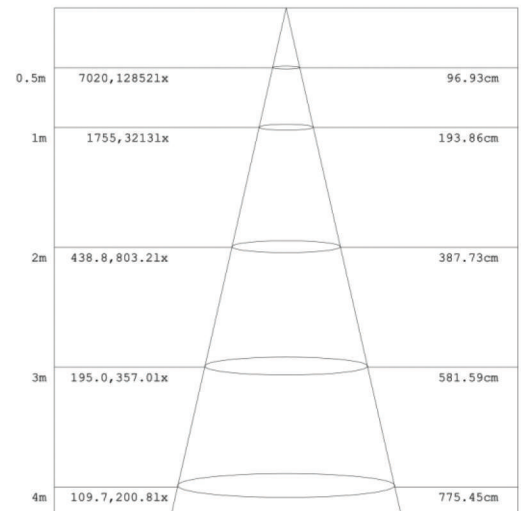
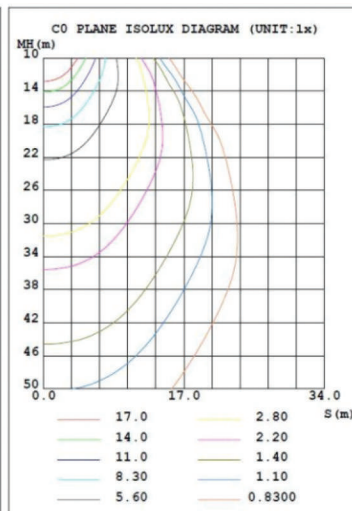
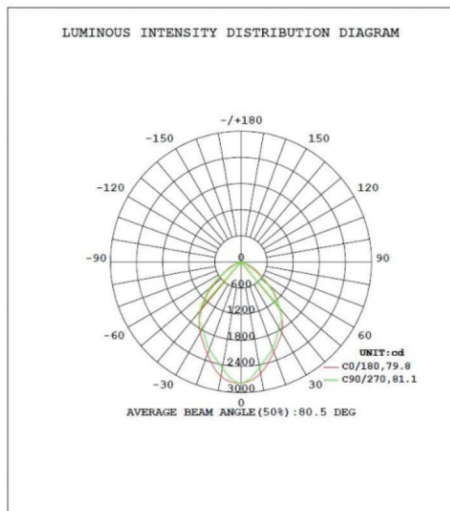
SPECIFICATIONS



Structure Features

- Shell materials: Aluminum & Glass.
- Finish: Dark Bronze/White
- Net weight : 2.9Kg (6.38 lbs)
- Product Size: 220mm*182.24mm*110mm
- Carton Size: 265mm*190mm*180mm

PHOTOMETRY



AL-FL07W27-50K-D-K

AL	FL	07W	27	XXK	Z	M
Company	Product	Power	Voltage	Color Temp	Finish	Mount
	FL	07W(70W)	27	40K(4000K)	D (Dark Bronze)	K
APEXLIGHTING	Flood Light		AC100-277V	50K(5000K)±500K	W (White)	Knuckle
					B (Black)	T
						Trunnion

LIGHTING UP THE WORLD
WITH ONE BULB AT A TIME!