



FEATURES

- Lumileds LED, high luminous efficiency and long working life.
- High efficiency LED Driver, the wide range input voltage AC120-277V / 347 V.
- Die Cast aluminium cooling design, high quality and better cooling for LED Tj < 85°C.
- Excellent Optics design, greatly improve the light utilization and evenness.

APPLICATION

APEXLIGHTING LED Full Cutoff Wall Pack series can be widely used in indoor or outdoor lighting(Wet location), like mechanical or electronic processing workshops, storage warehouses, steel mills, gas stations, toll booth, waiting rooms, the platforms of railway station , indoor stadiums.

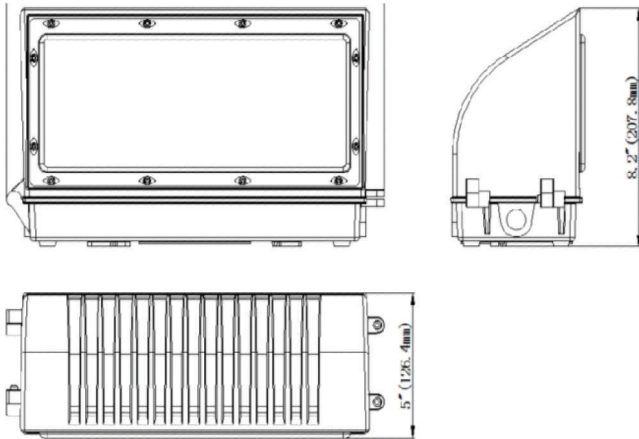
ELECTRIC CHARACTERISTIC

AL-FWP45W27

Power	45W	Lighting Angle	62°x118°
Input Voltage	AC120-277V/347V	LED Brightness Decay	<5%/6000 hrs
PF	>0.95	Working Life	>50000 hrs
Driver Efficiency	>90%	Working Temperature	-30 - +45°C
Luminous Flux	5850 Lm	Storage Temperature	-40 --+80°C
Color Temperature	4000K/5000K	Protection Level	Wet Location/IP65
CRI	Ra>70	Cable	Input Connect, No cable

LIGHTING UP THE WORLD
WITH ONE BULB AT A TIME!

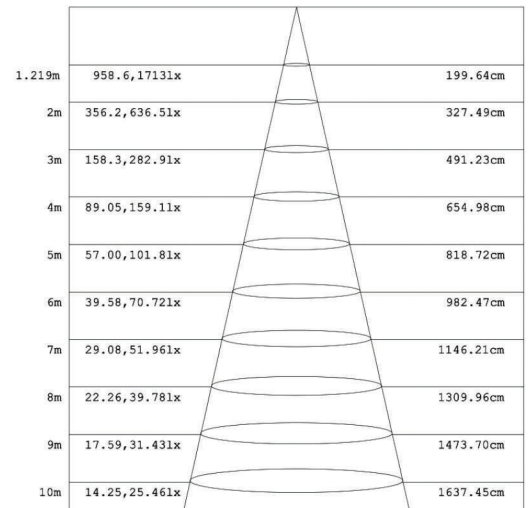
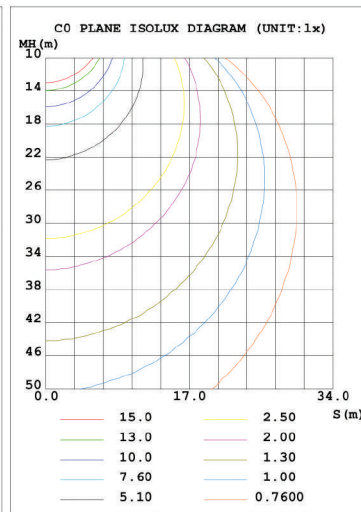
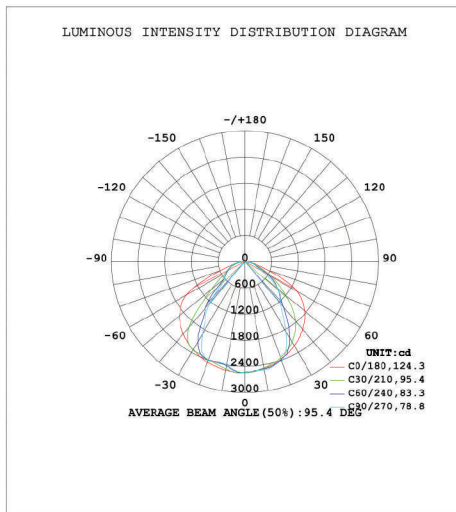
SPECIFICATIONS



Structure Features

- Shell materials: Aluminum & PC.
- Finish: Dark Bronze/White
- Net weight : 2.9Kg (6.4 lbs)
- Product Size: 354.8mm*207.8mm*126.4mm
- Carton Size: 390mm*267mm*185mm

PHOTOMETRICS



AL-FWP45W27

AL	FWP	45W	27	XXK	Z	Y
Company	Product	Power	Voltage	Color Temp	Finish	Control
	FWP	45W(45W)	27	40K(4000K)	D (Dark Bronze)	P
APEXLIGHTING	Full Cutoff		AC120-277V	50K(5000K)±500K	W (White)	Photocell
	Wall Pack		347		B (Black)	
			AC347V		S (Silvery)	

LIGHTING UP THE WORLD
WITH ONE BULB AT A TIME!