

GENERAL DESCRIPTION

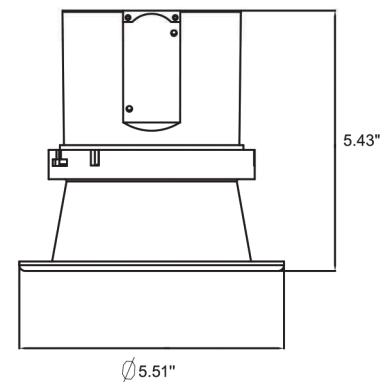
ApexLighting split LED Commercial Downlight series have been optimized to the third generation. The innovative separable design of junction box and housing makes it more flexible, With 65° beam angle, the 4" split commercial downlight can fulfill a wide range of lighting needs. Easy-fit installation comes from adjustable spring-action housing clips. It is designed and engineered for recessed applications, which is suitable for commercial and public places and elegantly decorates the ambience, such as a shopping mall, hospital, airport, hotel lobby, etc.



ORDERING INFORMATION

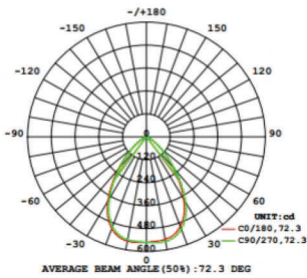
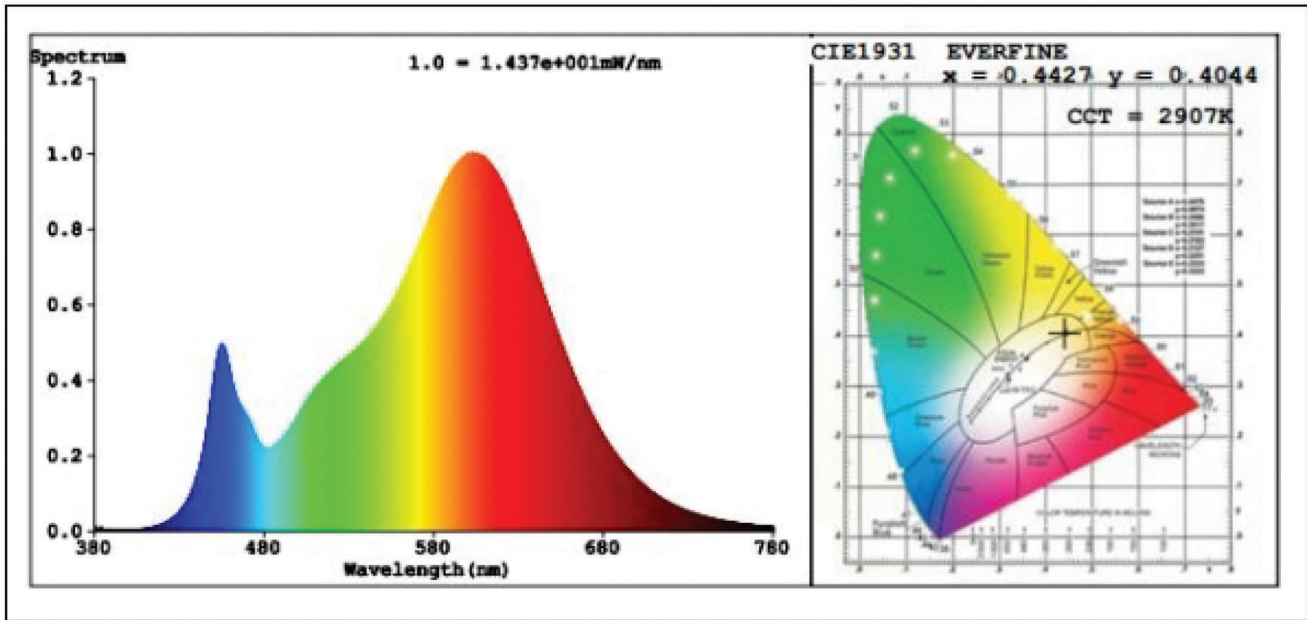
| Category | Size | Dimming | Wattage | CCT(XX) | CRI(X) |
|--|---------|---------------|-------------------------------|--|----------|
| AL-LEDA1R= Commercial Premium Downlight | 4=4inch | 0-10V Dimming | 10W=10W 15W=15W 20W=20W | 30=3000K 35=3500K 40=4000K 50=5000K | E=80 CRI |

| Model | AL-LEDA1R-410 | AL-LEDA1R-415 | AL-LEDA1R-420 |
|------------------------|---|---------------|---------------|
| Efficacy | 78LPW | 78LPW | 76LPW |
| Rated Power | 10W | 15W | 20W |
| Delivered light output | 780lm | 1170lm | 1520lm |
| Input Current | 0.1A | 0.15A | 0.2A |
| Input Voltage | 120-347V AC | | |
| CRI | Ra>80 | | |
| CCT Options | 3000K, 3500K, 4000K, 5000K | | |
| Standard Warranty | 5 Years | | |
| Standard Lifetime | Designed minimum 35,000 hours | | |
| Mounting | Recessed | | |
| Temperature Rating | Designed to operate in temperatures 45°C and below room side and plenum side. | | |
| Dimming Type | 0-10V dimming | | |
| Recommended Dimmers | DVTV(LUTRON),IP710(LEVITON) | | |
| UL Listed | YES | YES | YES |
| Energy Star Listed | YES | YES | YES |
| LM79 Report | YES | YES | YES |
| Damp Rated | YES | YES | YES |



LIGHTING UP THE WORLD WITH ONE BULB AT A TIME!

PHOTOMETRICS AL-LEDA1R-410



| Zonal Lumen Summary | | |
|---------------------|--------|------------|
| Zone | Lumens | %Luminaire |
| 0-30 | 410.0 | 53% |
| 0-40 | 549.9 | 76.9% |
| 0-60 | 760.8 | 98.3% |
| 60-90 | 13.1 | 1.7% |
| 70-100 | 1.7 | 0.2% |
| 90-120 | 0 | 0% |
| 0-90 | 773.9 | 100% |
| 90-180 | 0.0 | 0% |
| 0-180 | 774.0 | 100% |

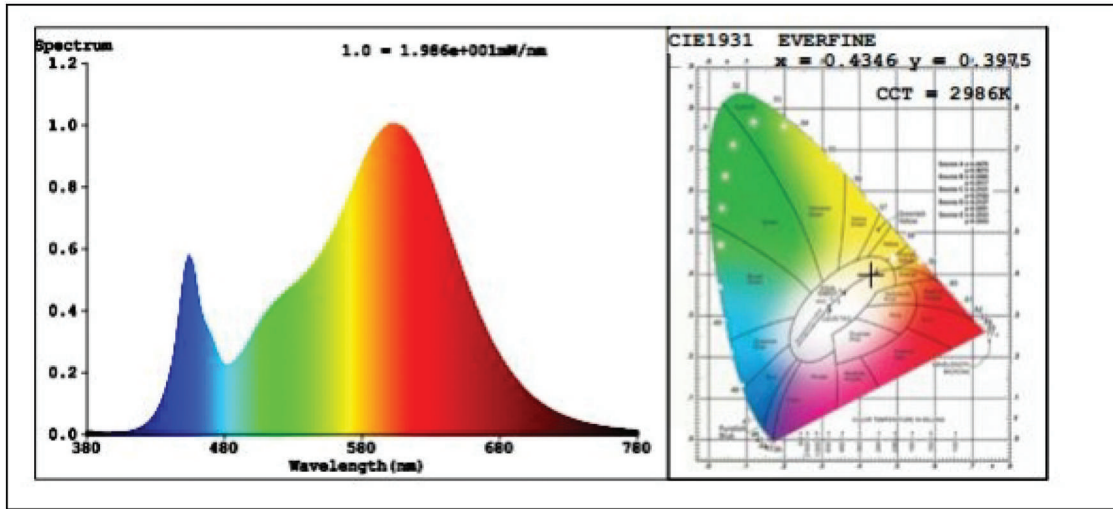
| Lumens Per Zone | | | | | |
|-----------------|--------|---------|---------|--------|---------|
| Zone | Lumens | % Total | Zone | Lumens | % Total |
| 0-10 | 52.6 | 6.8% | 90-100 | 0 | 0% |
| 10-20 | 150.6 | 19.5% | 100-110 | 0 | 0% |
| 20-30 | 206.8 | 26.7% | 110-120 | 0 | 0% |
| 30-40 | 184.9 | 23.9% | 120-130 | 0.0 | 0% |
| 40-50 | 114.3 | 14.8% | 130-140 | 0.0 | 0% |
| 50-60 | 51.6 | 6.7% | 140-150 | 0.0 | 0% |
| 60-70 | 11.5 | 1.5% | 150-160 | 0.0 | 0% |
| 70-80 | 1.5 | 0.2% | 160-170 | 0.0 | 0% |
| 80-90 | 0.2 | 0.0% | 170-180 | 0.0 | 0% |

UNIT: cd

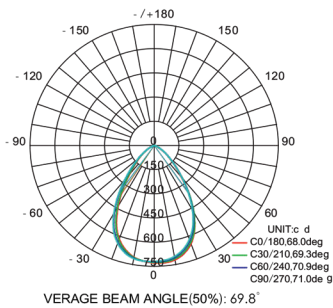
| C (DEG) | 0 | 22.5 | 45 | 67.5 | 90 | 112.5 | 135 | 157.5 | 180 | 202.5 | 225 | 247.5 | 270 | 292.5 | 315 | 337.5 |
|---------|------|------|------|------|------|-------|------|-------|------|-------|------|-------|------|-------|------|-------|
| 0 | 551 | 551 | 551 | 551 | 551 | 551 | 551 | 551 | 551 | 551 | 551 | 551 | 551 | 551 | 551 | 551 |
| 5 | 549 | 551 | 553 | 554 | 554 | 554 | 555 | 555 | 555 | 555 | 554 | 552 | 550 | 548 | 547 | 547 |
| 10 | 544 | 550 | 553 | 555 | 555 | 555 | 553 | 553 | 554 | 555 | 554 | 552 | 547 | 541 | 537 | 539 |
| 15 | 531 | 538 | 542 | 544 | 543 | 541 | 540 | 540 | 542 | 543 | 542 | 539 | 533 | 525 | 520 | 523 |
| 20 | 500 | 507 | 511 | 514 | 514 | 512 | 510 | 510 | 511 | 511 | 510 | 507 | 501 | 492 | 488 | 492 |
| 25 | 448 | 455 | 459 | 463 | 464 | 463 | 461 | 460 | 461 | 459 | 456 | 453 | 447 | 440 | 438 | 441 |
| 30 | 375 | 381 | 386 | 390 | 393 | 393 | 391 | 389 | 389 | 386 | 382 | 377 | 373 | 368 | 366 | 370 |
| 35 | 291 | 297 | 303 | 306 | 308 | 307 | 306 | 304 | 305 | 302 | 298 | 292 | 288 | 284 | 283 | 287 |
| 40 | 210 | 216 | 221 | 224 | 223 | 222 | 221 | 219 | 221 | 220 | 217 | 212 | 207 | 203 | 203 | 206 |
| 45 | 144 | 149 | 151 | 152 | 152 | 151 | 149 | 149 | 150 | 149 | 148 | 145 | 141 | 138 | 138 | 141 |
| 50 | 93.6 | 95.8 | 96.9 | 97.4 | 97.4 | 96.8 | 96.1 | 95.4 | 96.4 | 95.2 | 93.8 | 92.5 | 91.1 | 89.7 | 89.9 | 92.0 |
| 55 | 56.7 | 57.7 | 58.2 | 58.7 | 58.9 | 58.9 | 58.5 | 57.7 | 57.5 | 56.5 | 55.3 | 54.5 | 54.2 | 54.1 | 54.8 | 56.1 |
| 60 | 28.0 | 28.4 | 28.7 | 29.1 | 29.5 | 29.7 | 29.5 | 28.7 | 28.4 | 27.6 | 26.8 | 26.4 | 26.5 | 26.8 | 27.4 | 28.0 |
| 65 | 8.96 | 8.99 | 9.05 | 9.22 | 9.65 | 9.89 | 10.1 | 9.72 | 9.40 | 8.74 | 8.15 | 7.82 | 7.96 | 8.26 | 8.82 | 9.12 |
| 70 | 2.88 | 2.83 | 2.84 | 2.90 | 3.02 | 3.17 | 3.25 | 3.18 | 3.06 | 2.85 | 2.71 | 2.66 | 2.70 | 2.80 | 2.93 | 2.98 |
| 75 | 1.23 | 1.20 | 1.21 | 1.24 | 1.29 | 1.35 | 1.38 | 1.36 | 1.31 | 1.23 | 1.18 | 1.16 | 1.18 | 1.22 | 1.26 | 1.27 |
| 80 | 0.47 | 0.46 | 0.46 | 0.47 | 0.50 | 0.53 | 0.54 | 0.54 | 0.52 | 0.48 | 0.46 | 0.45 | 0.45 | 0.47 | 0.49 | 0.49 |
| 85 | 0.12 | 0.12 | 0.12 | 0.13 | 0.14 | 0.14 | 0.15 | 0.15 | 0.14 | 0.13 | 0.12 | 0.12 | 0.12 | 0.13 | 0.14 | 0.13 |

LIGHTING UP THE WORLD WITH ONE BULB AT A TIME!

PHOTOMETRICS AL-LEDA1R-415



ZONAL LUMEN TABULATION



| Zonal Lumen Summary | | |
|---------------------|---------|------------|
| Zone | Lumens | %Luminaire |
| 0-30 | 615.5 | 53% |
| 0-40 | 893.6 | 76.9% |
| 0-60 | 1,141.8 | 98.3% |
| 60-90 | 19.8 | 1.7% |
| 70-100 | 2.5 | 0.2% |
| 90-120 | 0 | 0% |
| 0-90 | 1,161.6 | 100% |
| 90-180 | 0.0 | 0% |
| 0-180 | 1,161.7 | 100% |

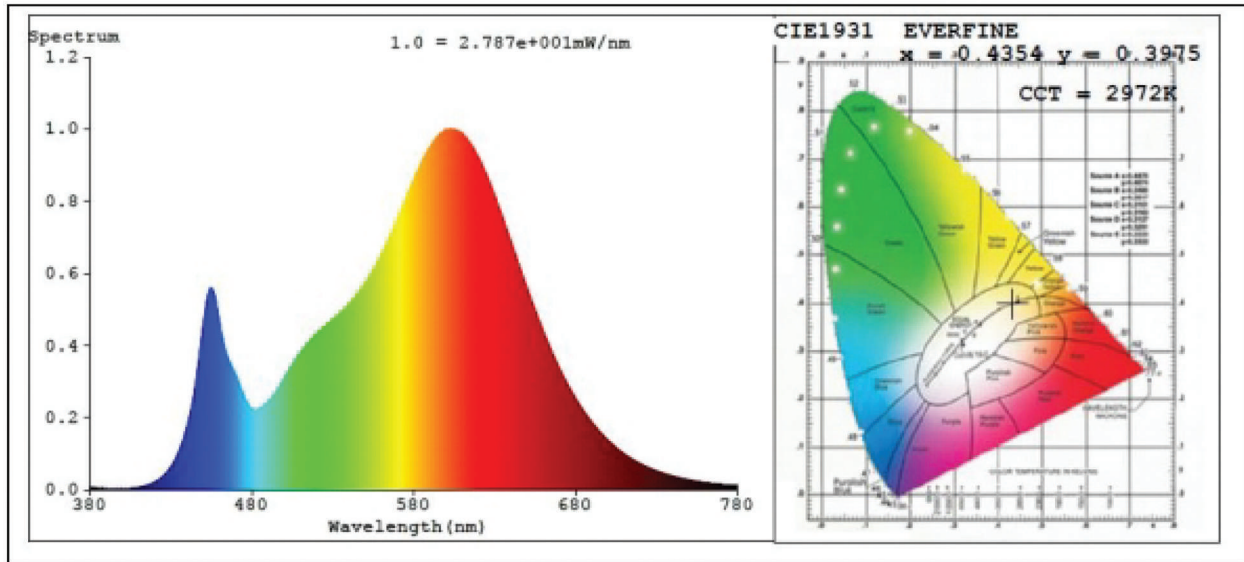
| Lumens Per Zone | | | | | |
|-----------------|--------|---------|---------|--------|---------|
| Zone | Lumens | % Total | Zone | Lumens | % Total |
| 0-10 | 78.7 | 6.8% | 90-100 | 0 | 0% |
| 10-20 | 225.8 | 19.4% | 100-110 | 0 | 0% |
| 20-30 | 311.0 | 26.8% | 110-120 | 0 | 0% |
| 30-40 | 278.1 | 23.9% | 120-130 | 0.0 | 0% |
| 40-50 | 171.1 | 14.7% | 130-140 | 0.0 | 0% |
| 50-60 | 77.2 | 6.6% | 140-150 | 0.0 | 0% |
| 60-70 | 17.3 | 1.5% | 150-160 | 0.0 | 0% |
| 70-80 | 2.2 | 0.2% | 160-170 | 0.0 | 0% |
| 80-90 | 0.3 | 0.0% | 170-180 | 0.0 | 0% |

UNIT: cd

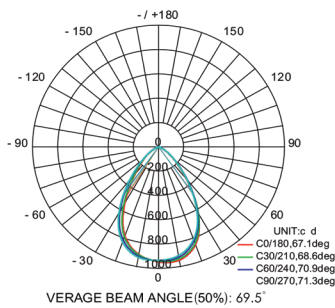
| C (DEG) | 0 | 22.5 | 45 | 67.5 | 90 | 112.5 | 135 | 157.5 | 180 | 202.5 | 225 | 247.5 | 270 | 292.5 | 315 | 337.5 |
|---------|------|------|------|------|------|-------|------|-------|------|-------|------|-------|------|-------|------|-------|
| 0 | 825 | 825 | 825 | 825 | 825 | 825 | 825 | 825 | 825 | 825 | 825 | 825 | 825 | 825 | 825 | 825 |
| 5 | 825 | 822 | 820 | 819 | 819 | 821 | 823 | 826 | 828 | 829 | 830 | 830 | 830 | 830 | 829 | 827 |
| 10 | 824 | 819 | 815 | 811 | 810 | 814 | 819 | 824 | 827 | 828 | 829 | 828 | 828 | 829 | 830 | 828 |
| 15 | 806 | 802 | 797 | 792 | 790 | 795 | 801 | 806 | 809 | 811 | 811 | 810 | 810 | 812 | 814 | 812 |
| 20 | 762 | 759 | 754 | 749 | 746 | 750 | 755 | 758 | 761 | 762 | 762 | 762 | 763 | 767 | 769 | 768 |
| 25 | 688 | 686 | 682 | 677 | 674 | 676 | 678 | 680 | 683 | 683 | 683 | 684 | 686 | 690 | 693 | 693 |
| 30 | 580 | 580 | 577 | 572 | 569 | 568 | 569 | 569 | 572 | 572 | 573 | 573 | 576 | 580 | 584 | 584 |
| 35 | 454 | 454 | 452 | 448 | 444 | 442 | 442 | 441 | 444 | 444 | 444 | 444 | 447 | 451 | 454 | 456 |
| 40 | 330 | 330 | 328 | 325 | 321 | 319 | 318 | 318 | 321 | 320 | 319 | 318 | 321 | 324 | 327 | 331 |
| 45 | 224 | 226 | 225 | 222 | 219 | 217 | 216 | 216 | 217 | 216 | 215 | 214 | 215 | 218 | 221 | 224 |
| 50 | 144 | 146 | 147 | 145 | 142 | 141 | 140 | 139 | 140 | 139 | 138 | 137 | 137 | 139 | 142 | 144 |
| 55 | 87.2 | 89.1 | 89.6 | 88.6 | 87.1 | 85.7 | 84.3 | 83.0 | 83.1 | 82.3 | 81.2 | 80.4 | 80.9 | 82.3 | 84.1 | 86.2 |
| 60 | 44.3 | 45.9 | 46.4 | 45.9 | 44.8 | 43.4 | 42.0 | 40.8 | 40.7 | 40.1 | 39.2 | 38.6 | 39.0 | 40.0 | 41.3 | 43.0 |
| 65 | 14.9 | 16.3 | 16.9 | 16.5 | 15.4 | 14.0 | 12.9 | 12.2 | 12.3 | 12.3 | 12.2 | 11.9 | 11.8 | 12.1 | 12.6 | 15.3 |
| 70 | 4.77 | 5.05 | 5.15 | 4.94 | 4.60 | 4.31 | 4.13 | 4.06 | 4.16 | 4.24 | 4.25 | 4.16 | 4.10 | 4.14 | 4.27 | 4.52 |
| 75 | 2.04 | 2.15 | 2.17 | 2.08 | 1.94 | 1.81 | 1.73 | 1.71 | 1.77 | 1.80 | 1.82 | 1.79 | 1.76 | 1.79 | 1.87 | 1.97 |
| 80 | 0.81 | 0.86 | 0.86 | 0.82 | 0.74 | 0.67 | 0.64 | 0.63 | 0.66 | 0.68 | 0.69 | 0.69 | 0.67 | 0.68 | 0.72 | 0.77 |
| 85 | 0.23 | 0.25 | 0.25 | 0.23 | 0.20 | 0.18 | 0.17 | 0.16 | 0.17 | 0.17 | 0.17 | 0.17 | 0.17 | 0.18 | 0.20 | 0.22 |

LIGHTING UP THE WORLD
WITH ONE BULB AT A TIME!

PHOTOMETRICS AL-LEDA1R-420



ZONAL LUMEN TABULATION



| Zonal Lumen Summary | | |
|---------------------|---------|------------|
| Zone | Lumens | %Luminaire |
| 0-30 | 828.7 | 53.1% |
| 0-40 | 1,203.2 | 77.2% |
| 0-60 | 1,532.7 | 98.3% |
| 60-90 | 26.4 | 1.7% |
| 70-100 | 3.4 | 0.2% |
| 90-120 | 0 | 0% |
| 0-90 | 1,599.1 | 100% |
| 90-180 | 0.0 | 0% |
| 0-180 | 1,599.2 | 100% |

| Lumens Per Zone | | | | | |
|-----------------|--------|---------|---------|--------|---------|
| Zone | Lumens | % Total | Zone | Lumens | % Total |
| 0-10 | 105.8 | 6.8% | 90-100 | 0 | 0% |
| 10-20 | 303.7 | 19.5% | 100-110 | 0 | 0% |
| 20-30 | 419.1 | 26.7% | 110-120 | 0 | 0% |
| 30-40 | 374.5 | 24% | 120-130 | 0.0 | 0% |
| 40-50 | 227.2 | 14.6% | 130-140 | 0.0 | 0% |
| 50-60 | 102.2 | 6.6% | 140-150 | 0.0 | 0% |
| 60-70 | 23.0 | 1.5% | 150-160 | 0.0 | 0% |
| 70-80 | 3.0 | 0.2% | 160-170 | 0.0 | 0% |
| 80-90 | 0.4 | 0.0% | 170-180 | 0.0 | 0% |

UNIT: cd

| C (DEG) | 0 | 22.5 | 45 | 67.5 | 90 | 112.5 | 135 | 157.5 | 180 | 202.5 | 225 | 247.5 | 270 | 292.5 | 315 | 337.5 |
|---------|------|------|------|------|------|-------|------|-------|------|-------|------|-------|------|-------|------|-------|
| 0 | 1107 | 1107 | 1107 | 1107 | 1107 | 1107 | 1107 | 1107 | 1107 | 1107 | 1107 | 1107 | 1107 | 1107 | 1107 | 1107 |
| 5 | 1120 | 1115 | 1106 | 1098 | 1094 | 1090 | 1091 | 1095 | 1100 | 1106 | 1113 | 1118 | 1125 | 1125 | 1127 | 1124 |
| 10 | 1125 | 1116 | 1104 | 1087 | 1076 | 1071 | 1075 | 1084 | 1091 | 1103 | 1115 | 1123 | 1129 | 1133 | 1135 | 1135 |
| 15 | 1109 | 1097 | 1083 | 1061 | 1044 | 1037 | 1045 | 1053 | 1063 | 1077 | 1091 | 1101 | 1107 | 1113 | 1120 | 1118 |
| 20 | 1047 | 1037 | 1023 | 1003 | 985 | 978 | 982 | 988 | 999 | 1013 | 1030 | 1041 | 1046 | 1054 | 1062 | 1060 |
| 25 | 946 | 936 | 923 | 906 | 890 | 882 | 882 | 886 | 896 | 909 | 925 | 937 | 945 | 952 | 961 | 959 |
| 30 | 800 | 791 | 779 | 763 | 748 | 739 | 738 | 741 | 751 | 762 | 777 | 790 | 798 | 807 | 815 | 814 |
| 35 | 626 | 618 | 606 | 590 | 576 | 568 | 568 | 573 | 583 | 592 | 603 | 614 | 623 | 632 | 639 | 639 |
| 40 | 454 | 446 | 434 | 419 | 409 | 403 | 404 | 409 | 420 | 428 | 433 | 438 | 445 | 452 | 459 | 462 |
| 45 | 305 | 301 | 292 | 282 | 275 | 271 | 274 | 278 | 285 | 288 | 291 | 292 | 295 | 300 | 306 | 310 |
| 50 | 194 | 192 | 189 | 184 | 179 | 178 | 180 | 182 | 186 | 187 | 188 | 187 | 188 | 191 | 196 | 199 |
| 55 | 115 | 114 | 113 | 111 | 110 | 109 | 110 | 111 | 113 | 112 | 111 | 110 | 110 | 112 | 115 | 117 |
| 60 | 56.4 | 56.4 | 56.5 | 56.3 | 56.0 | 56.1 | 56.6 | 56.8 | 57.0 | 55.8 | 54.5 | 53.4 | 53.3 | 54.1 | 56.1 | 57.4 |
| 65 | 18.4 | 18.5 | 18.4 | 18.3 | 18.5 | 18.8 | 19.1 | 19.4 | 21.9 | 20.9 | 19.1 | 18.3 | 18.1 | 18.5 | 19.5 | 20.9 |
| 70 | 6.53 | 6.43 | 5.96 | 5.91 | 5.93 | 6.07 | 6.55 | 6.69 | 6.36 | 5.96 | 5.53 | 5.30 | 5.30 | 5.54 | 5.87 | 6.21 |
| 75 | 2.69 | 2.63 | 2.58 | 2.58 | 2.60 | 2.66 | 2.71 | 2.74 | 2.71 | 2.53 | 2.35 | 2.25 | 2.26 | 2.36 | 2.54 | 2.68 |
| 80 | 1.08 | 1.06 | 1.03 | 1.01 | 1.01 | 1.03 | 1.06 | 1.08 | 1.06 | 0.97 | 0.88 | 0.84 | 0.85 | 0.91 | 0.99 | 1.07 |
| 85 | 0.32 | 0.31 | 0.30 | 0.27 | 0.28 | 0.29 | 0.30 | 0.30 | 0.30 | 0.26 | 0.23 | 0.22 | 0.22 | 0.25 | 0.28 | 0.31 |

LIGHTING UP THE WORLD WITH ONE BULB AT A TIME!