

GENERAL DESCRIPTION

- Widely used for outdoor commercial general lighting purpose.
- Replace 175-250 MH or HID Fixtures.
- Polycarbonate optical lens with UV stabilizer.
- Light weight and designed to be instal-friendly for US standards.
- Optional for photocell and 347 VAC can be customized.
- 6 Year Warranty.

Technical Data

CRI	>80
Beam Angle	140°
Operation Temp.	- 30°C ~ 60°C
Lifespan	50,000 Hours
Waterproof Rating	Wet Location
Lumen per watt	> 90 lm/w

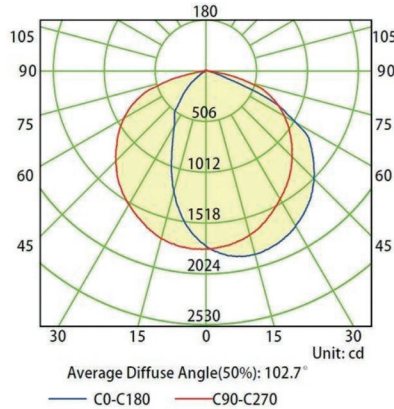
ORDERING INFORMATION

Model #	CCT	Voltage	Wattage	Lumen
AL-LEDFCUWP45W50K	5000K	120– 277VAC	45W	4900Lm
AL-LEDFCUWP70W50K	5000K	120 – 277VAC	70W	7350Lm

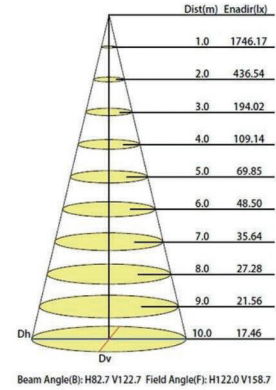
PHOTOMETRIC

45W Wall Pack →

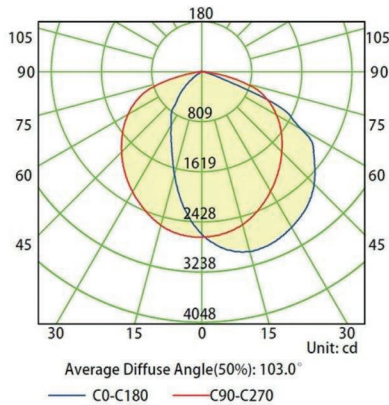
Luminous Intensity Distribution Curve



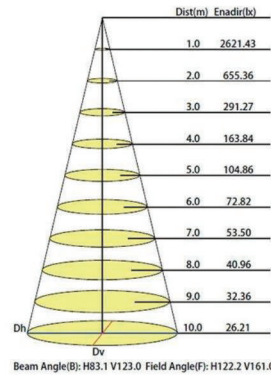
Illuminance at a Distance



Luminous Intensity Distribution Curve



Illuminance at a Distance

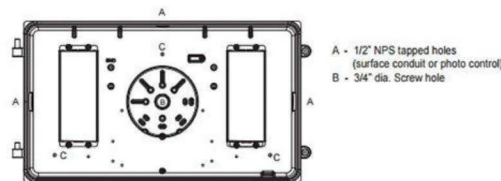


← 70W Wall Pack

INSTALLATION

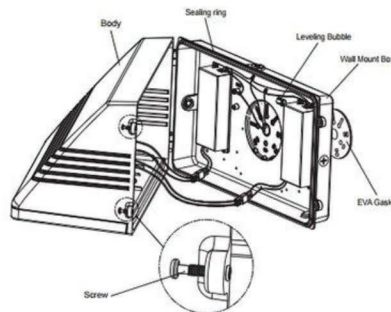
1. Junction box Mounting

- Loosen screws and remove the front lens set carefully from the back plate.
- Drill appropriate knockouts (B) for wiring, the fixture supports standard 3/4" and 4" Junction box.
- Attach the back plate on the wall, use the supplied gaskets for a weather tight seal.
- Finish wiring (Black for Line, White for Neutral and Yellow Green for Ground).
- Replace the lens set on the hinges, make connections and close the lens set then tighten the screws.



2. Conduit Mounting

- Loosen screws and remove the front lens set carefully from the back plate.
- Remove 1/2" plug from where you intend to feed conduit.
- Drilling out the holes (C) to secure it on the wall with choosing proper screws.
- Finish wiring (Black for Line, White for Neutral and Yellow Green for Ground).
- Replace the lens set on the hinges, make connections and close the lens set then tighten the screws.



LIGHTING UP THE WORLD
WITH ONE BULB AT A TIME!