

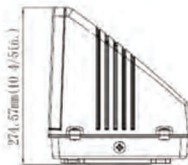
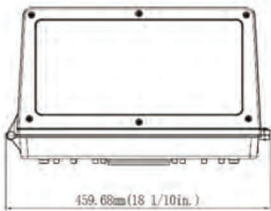


### 90W - 135W

#### FEATURES

- Widely used for outdoor commercial general lighting purpose
- Replaces 175-250 MH or Hid Fixtures
- Glass lens
- Rugged die-cast aluminum housing

#### DIMENSIONS



INPUT VOLTAGE	110 - 277 VAC / 480VAC
CRI	>80
LUMEN PER WATT	106 LM/W
AVAILABLE CCT	4000K, 5000K
LIFE SPAN	50,000 HOURS
OPERATION TEMPERATURE	-40°F - 104°F
LUMEN	9540/14,310
MOUNTING OPTIONS	WALL MOUNT

#### ORDERING INFORMATION

#### 90W

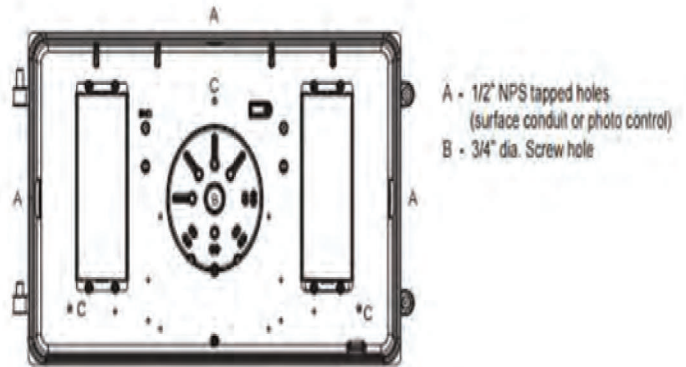
LED FCUWP	90W	30K	[BLANK]	[BLANK]	[BLANK]
<b>SERIES</b> AL-LEDFCUWP	<b>RATED WATTAGE</b> 90W 90 WATT 135W 135 WATT	<b>COLOR TEMP</b> 40K 4000 KELVIN 50K 5000 KELVIN	<b>INPUT VOLTAGE</b> BLANK 110 - 277 VAC HV -480VAC	<b>FINISHING</b> BLANK DARK BRONZE	<b>OPTIONS</b> BLANK NO PHOTOCELL -PC TWIST LOCK PHOTOCELL -EB EMERGENCY BATTERY BACKUP

LIGHTING UP THE WORLD  
WITH ONE BULB AT A TIME!

### DIMENSIONS

#### 1. Junction box Mounting

1. Loosen screws and remove the front lens set carefully from the back plate.
2. Drill appropriate knockouts (B) for wiring, the fixture supports standard 3/4" and 4" Junction box.
3. Attach the back plate on the wall, use the supplied gaskets for a weather tight seal.
4. Finish wiring (Black for Line, White for Neutral and Yellow Green for Ground).
5. Replace the lens set on the hinges, make connections and close the lens set then tighten the screws.



#### 2. Conduit Mounting

1. Loosen screws and remove the front lens set carefully from the back plate.
2. Remove 1/2" plug from where you intend to feed conduit.
3. Drilling out the holes (C) to secure it on the wall with choosing proper screws.
4. Finish wiring (Black for Line, White for Neutral and Yellow Green for Ground).
5. Replace the lens set on the hinges, make connections and close the lens set then tighten the screws.

