



FEATURES

- Sealed die-casting profile for indoor and outdoor applications.
- Voltage is 120-277V & 347V.
- Lumen output from 3500-12,300lm with efficacy up to 137lm/W.
- Optional Parking Garage Photometry or Low Bay Photometry as per applications.
- Increase energy savings with bi-level Motion sensor.
- Replacing 100W MH and 175W MH.
- Operating temperature is -40°C to 45°C (-40°F to 113°F).
- UL/cUL wet location and DLC premium qualified.

APPLICATIONS

- Parking structures
- Storage areas
- Shopping area walkways
- Entryways
- Low level security



30W/45W/60W



30W/45W/60W



90W

1/2inch threaded hole

Support wires coming from the hole for easier wire connections.

Emergency Battery

900lm, 90min

Photometry

Optional Parking Garage Photometry or Low Bay Photometry as per applications.

Mounting Bracket

Suitable for J-BOX mounting, and easy for installation, also support pendant mounting, wires coming out from the back for easier wire connections

Housing

One piece die cast housing better waterproofing, suitable for both indoor and outdoor application

PIR Sensor

Optional PIR sensor allows for security and energy saving

LIGHTING UP THE WORLD
WITH ONE BULB AT A TIME!

PERFORMANCE DATA

SYSTEM WATTS	PHOTOMETRY	VOLTAGE	LUMENS 4000K(70CRI)	LPW 4000K(70CRI)	LUMENS 5000K(70CRI)	LPW 5000K(70CRI)
30W	Parking Garage	120-277VAC	4000lm	133lm/W	4000lm	133lm/W
	Low Bay	120-277VAC	3800lm	127lm/W	3800lm	127lm/W
45W	Parking Garage	120-277VAC	5700lm	127lm/W	5700lm	127lm/W
	Low Bay	120-277VAC	5500lm	122lm/W	5500lm	122lm/W
50W	Parking Garage	347VAC	5700lm	114lm/W	5700lm	114lm/W
	Low Bay	347VAC	5500lm	110lm/W	5500lm	110lm/W
60W	Parking Garage	120-277VAC	7500lm	125lm/W	7500lm	125lm/W
	Low Bay	120-277VAC	7600lm	127lm/W	7600lm	127lm/W
65W	Parking Garage	347VAC	7500lm	115lm/W	7500lm	115lm/W
	Low Bay	347VAC	7600lm	117lm/W	7600lm	117lm/W
90W	Parking Garage	120-277VAC	12300lm	137lm/W	12300lm	137lm/W

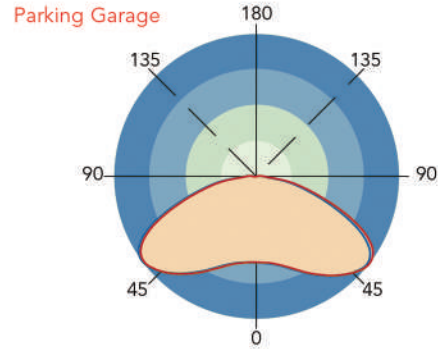
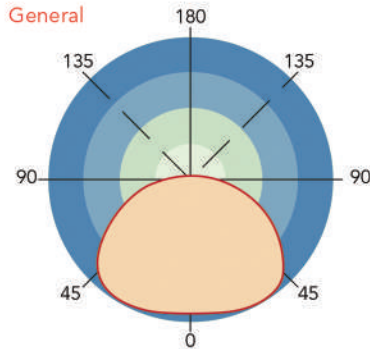
ELECTRIC CHARACTERISTIC

Number Of Drivers	Driver Current (mA)	Nominal Power (W)	INPUT VOLTAGE (V)	CURRENT (Amps)
1	760	30	120	0.25
		30	208	0.14
		30	240	0.13
		30	277	0.11
1	1110	45	120	0.38
		45	208	0.22
		45	240	0.19
		45	277	0.16
		50	347	0.14
1	1500	60	120	0.50
		60	208	0.29
		60	240	0.25
		60	277	0.22
		65	347	0.19
1	2270	90	120	0.75
		90	208	0.43
		90	240	0.38
		90	277	0.32

LIGHTING UP THE WORLD
WITH ONE BULB AT A TIME!

CHOOSE YOUR OPTICAL DISTRIBUTION

Each optic is designed for a specific purpose. The general distribution allows a wash of light in any application. In addition, we design an optics specially for parking garage.

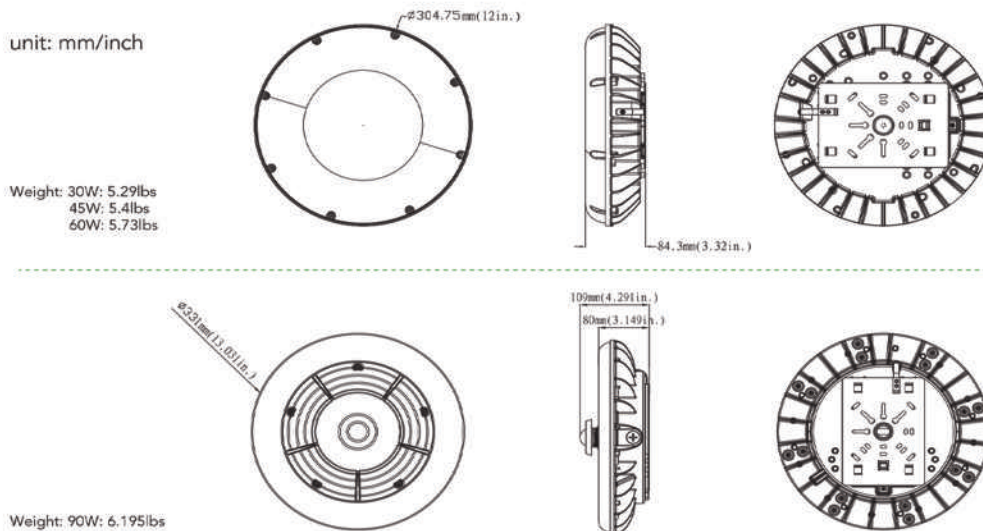


ORDERING GUIDE

Example: AL-LEDRCP30W27-WH

Fixture Type	Wattage	Voltage	CCT	Finish	Sensor (Option)	Dimmable	Photometry	Emergency Battery (Only for 45W)	Internal Code
<input type="text"/>	<input type="text"/>	<input type="text"/>	<input type="text"/>	<input type="text"/>	<input type="text"/>	<input type="text"/>	<input type="text"/>	<input type="text"/>	<input type="text"/>
AL-LEDRCP MCP Series	30 30W 45 45W 50 50W 60 60W 65 65W 90 90W	27V 120-277V 34V 347V	40K 4000K 50K 5000K	D Dark Bronze B Black W White	Blank Without Sensor M With Sensor	D 1-10V Dimmable Blank NON Dimmable	PG Parking Garage LB Low Bay	B Emergency Battery Blank Without Emergency Battery	Blank Alphanumeric

- Note: 1. The watt is 45W when the voltage is 120-277V, while the voltage is 347V, the watt is 50W.
 2. The watt is 65W when the voltage is 120-277V, while the voltage is 347V, the watt is 65W.
 3. Optional emergency battery only for 45W.
 4. 90W is only for 120-277V and only has Parking Garage photometry.



LIGHTING UP THE WORLD
WITH ONE BULB AT A TIME!