



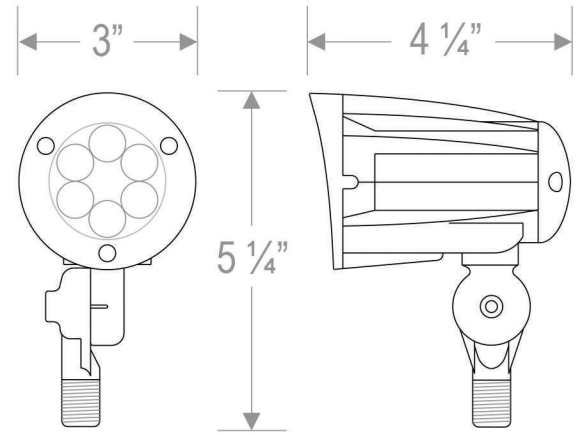
Spike-Mount
(LEDSL-BS)



Canopy-Mount
(LEDSL-CMB)



Shroud
(LEDSL28W-SHROUD)



GENERAL DESCRIPTION

The AL-LEDSL15 landscape security / flood light is an ideal solution for general site, landscape, sign and pathway lighting. With a die cast aluminum housing, and a polycarbonate lens with seamless silicone gasket to prevent leaks, the AL-LEDSL15 will stand up to many years of punishing environmental conditions. High efficacy, long-life LEDs provide both energy and maintenance cost savings compared to traditional, incandescent landscape lights.

MOUNTING OPTIONS

- Threaded pipe (NPS 1/2"), which attaches to a junction box, is standard.
- Optional spike-mount (LEDSL-BS) for ground mounting.
- Optional canopy-mount (LEDSL-CMB) for attachment to flat surfaces.

WARRANTY/LISTING

- cULus listed for wet locations (-20°C to 40°C / -4°F to 104°F).
- IP65 rated.
- Complies with EN61000-4-5, surge immunity test (1kV).
- 5-Year Warranty of all electronics and housing.

APPLICATION

- Available in 3000k & 5000k (cool white) color temperature.*
- Long-life LEDs provide 69,000 hours of operation with at least 70% of initial lumens output (L70).**
- Delivers 1,536 lumens (102 lumens per watt, LPW) at 3000k, and 1,700 lumens (113 LPW) at 5000k.*
- Narrow beam spread is standard. Medium beam spread is available by special order (contact factory for details).
- Power factor > 0.90.
- Universal 100-277 AC voltage (50-60Hz) is standard.
- Total harmonic distortion < 20%
- Color rendering index > 80.
- Die cast aluminum housing with durable, dark bronze, powder coat paint.
- Polycarbonate lens.
- Several mounting options provide easy installation in new construction or retrofit. Yoke-mounted models available by special order (contact factory for details).

PRODUCT PARAMETER

MODEL	LUMINAIRE WATTS	LUMINAIRE LUMENS	LUMENS PER WATTS	COLOR TEMPERATURE	BEAM SPREAD	OPTIONS (ORDER SEPARATELY)
AL-LEDSL15	15	1,536	102	3K = 3000K	30 = Narrow	Spike-Mount = LEDSL-BS Canopy-Mount = LEDSL-CMB Shroud = LEDSL15W-SHROUD
	15	1,700	113	5K = 5000K	30 = Narrow	

LIGHTING UP THE WORLD
WITH ONE BULB AT A TIME!

PRODUCT PARAMETER

MODEL	COLOR TEMPERATURE	CRI ¹	LUMINAIRE LUMENS	LUMINAIRE WATTS	LUMENS/WATT	INPUT VOLTAGE ²	INPUT CURRENT (A)			POWER FACTOR	THD ³	L ₇₀ HOURS ⁴
							120V	240V	277V			
AL-LEDSL15-K-3K-30	3000k	>80	1,536	15	102	120-277	0.13	0.06	0.05	>90%	<20%	69,000
AL-LEDSL15-K-5K-30	5000k	>80	1,700	15	113	120-277	0.13	0.06	0.05	>90%	<20%	69,000

¹ Color rendering index.

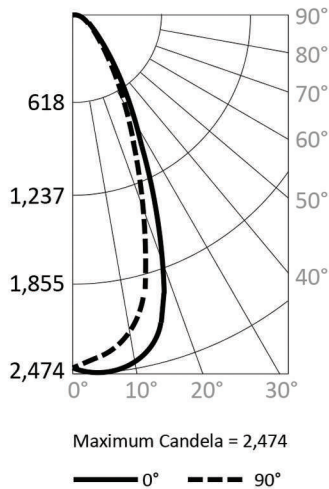
² All 50-60Hz.

³ Total harmonic distortion.

⁴ L₇₀ refers to the number of hours at which lumen output declines to 70% of the initial level. L₇₀ hours are IES TM-21-11 calculated hours.

PHOTOMETRIC DATA

AL-LEDSL15-K-5K-30 (1,700 Lumens)



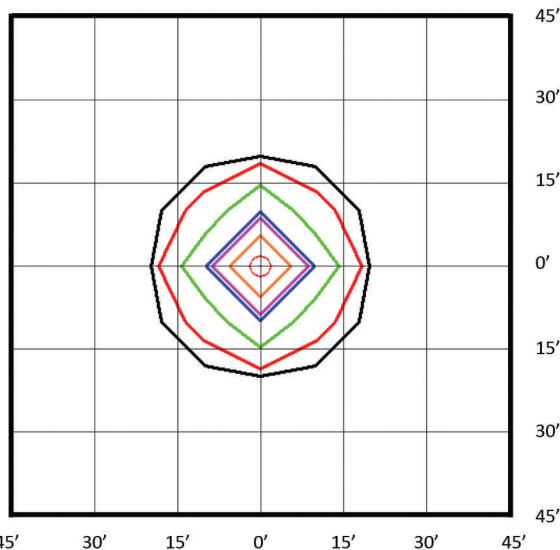
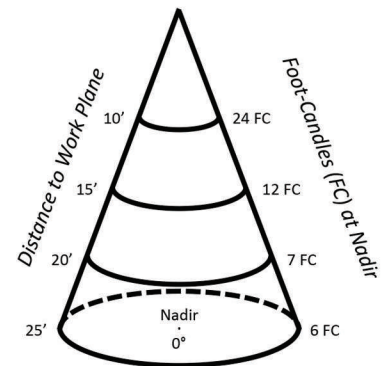
Candlepower Summary

	0°	90°
0°	2,429	2,429
10°	2,458	2,419
20°	2,423	2,366
30°	2,261	2,199
40°	1,765	1,745
50°	1,165	1,189
60°	760	794
70°	517	539
80°	383	392
90°	289	293

Zonal Lumen Summary

Zone	Lumens	% Fixture
0° - 10°	221	13.0%
0° - 20°	697	41.0%
0° - 30°	1,087	64.0%
0° - 40°	1,346	79.2%
0° - 50°	1,520	89.4%
0° - 60°	1,623	95.5%
0° - 70°	1,674	98.5%
0° - 80°	1,694	99.7%
0° - 90°	1,699	99.9%
90° - 180°	1	0.1%
0° - 180°	1,700	100.0%

Cone of Light



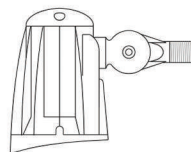
Foot Candles

- 5.0
- 2.0
- 1.0
- 0.5
- 0.2
- 0.1

Notes:

- Isofootcandle plots depict initial footcandles at grade.
- Gridlines represent units of mounting height of 25 feet.

Luminaire Orientation



LIGHTING UP THE WORLD WITH ONE BULB AT A TIME!