

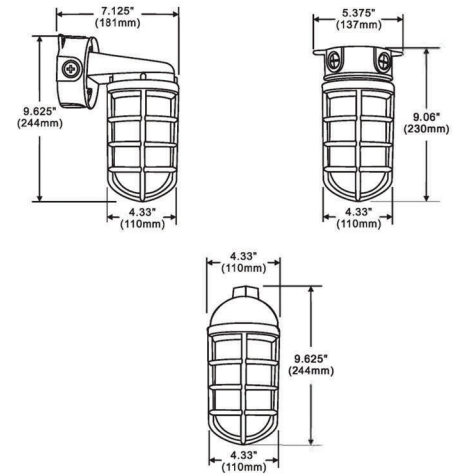


AL-LVPJJS-957 AL-LVPJJS-956

AL-LVPJJS-955



### DIMENSIONS:



### GENERAL DESCRIPTION

This rugged vapor-proof LED light is built to last. With industrial-grade rubber gaskets and automobile grade aluminum, this LED light is a beacon against Mother Nature. With a COB LED inside, it provides performance lighting while utilizing very little power. With a die-cast guard on the outside of the glass. It protects the high power LED. This fixture can be used in warehouse, docks, restaurants, or any outdoor application.

### FEATURES

- LISTING**  
UL and CUL listed for wet locations
- HOUSING**  
Solid construction die-cast aluminum body  
1/2" conduit plug-all 4 sides
- FINISH**  
UV stabilized powder coated finish  
Finish - Sandblasted Silver

### ELECTRIC CHARACTERISTIC

Model No.	AL-LVPJJS-955	AL-LVPJJS-956	AL-LVPJJS-957
System watts	11		
Lumen Output	884lm**		
Color	5000K		
MA	--		
Input Voltage	120V		
CRI	70+		
Starting Temp	40°C		
Equivalent	100W Incandescent		

LIGHTING UP THE WORLD  
WITH ONE BULB AT A TIME!