



### GENERAL DESCRIPTION

Apex Lighting LED Parking Garage Canopy series can be widely used in indoor or outdoor lighting (Wet location), Excellent for Museums, Art Galleries, Shopping Malls, Parking Garage, Buildings, The lawn, and many more applications.

### FEATURES

- Lumileds LED, high luminous efficiency and long working life.
- High efficiency LED Driver, the wide range input voltage AC120-277V.
- Die Cast aluminium cooling design, high quality and better cooling for LED  $T_j < 85^\circ\text{C}$ .
- Excellent Optics design, greatly improve the light utilization and evenness.
- Motion sensor Control Available (Option)

### ELECTRIC CHARACTERISTIC

#### AL-PGL45W27-50K-D

Power	45W	Lighting Angle	274°
Input Voltage	AC120-277V	LED Brightness Decay	<5%/6000 hrs
PF	>0.95	Working Life	>50000 hrs
Driver Efficiency	>90%	Working Temperature	-30 - +45°C
Luminous Flux	4983 Lm	Storage Temperature	-40 - +80°C
Color Temperature	4000K/5000K	Protection Level	Wet Location/IP65
CRI	Ra>80	Cable	Input Connect, 0.3m
Uplight	15%	Optional dimming function	1-10Vdc

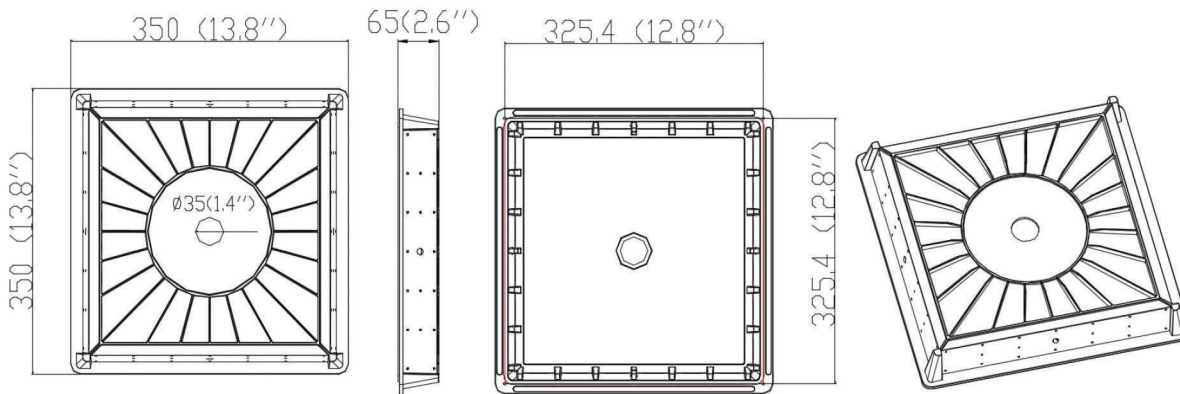
LIGHTING UP THE WORLD  
WITH ONE BULB AT A TIME!

### ORDERING INFORMATION

#### AL-PGL45W27-50K-D

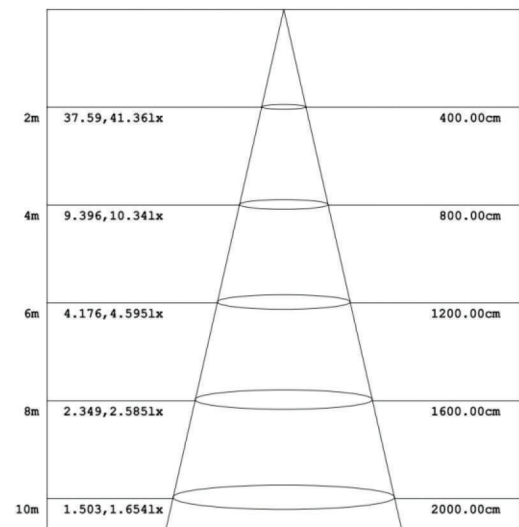
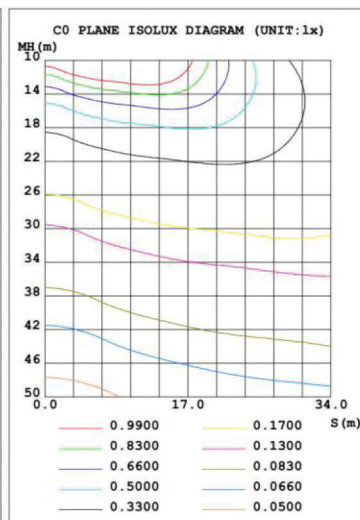
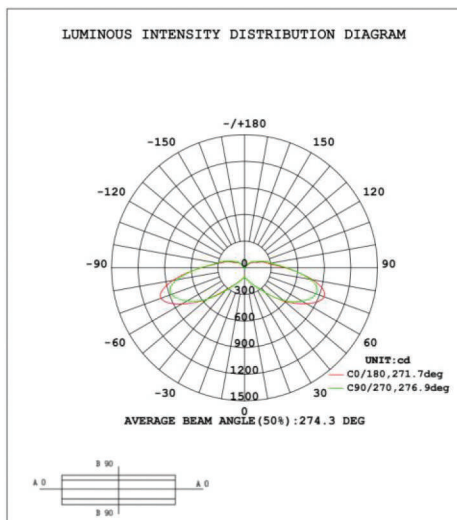
AL	PGL	45W	27	XXK	D	M
Company	Product	Power	Voltage	Color Temp	Finish	Motion sensor
	PGC	45W(45W)	27	40K(4000K)	D	M
APEX LIGHTING	Parking Garage Canopy		AC120-277V	50K(5000K)±500K	Dark Bronze	Motion sensor
					W	
					White	

### SPECIFICATIONS



#### Structure Features

- Shell materials: Aluminum & PC.
- Finish: Dark Bronze/White
- Net weight : 4.228Kg (9.32 lbs)
- Product Size: 350mm(13.8")\*350mm(13.8")\*65mm(2.6")
- Carton Size: 429mm(16.9")\*428mm(16.8")\*166mm6.5")
- Patent no.: 201730117181.0



LIGHTING UP THE WORLD  
WITH ONE BULB AT A TIME!