



GENERAL DESCRIPTION

Ideal for parks, walkway, and commercial office buildings, applications where landscape lighting may come into use.

SPECIFICATION

Model No. ▶	AL-PT9800		
System watts ▶	53	78	143
Lumen Output ▶	6814 lm**	9506 lm**	15408 lm**
Color ▶	5000k		
MA ▶	350MA	500MA	900MA
Input Voltage ▶	120~277V		
CRI ▶	70+		
Starting Temp ▶	-40°C		
Equivalent ▶	150W MH	150-175W MH	250W MH

LIGHTING UP THE WORLD
WITH ONE BULB AT A TIME!

FEATURES

LISTING

UL and CUL listed for wet locations.

HOUSING

Corrosion resistant heavy duty-cast aluminum construction.

Standard 2 3/8" open on the bottom.

Pass 3 G vibration testing.

Wiring Compartment on the Top for easy access and ease of installation.

FINISH

Superior powder coat finish to withstand the toughest weather.

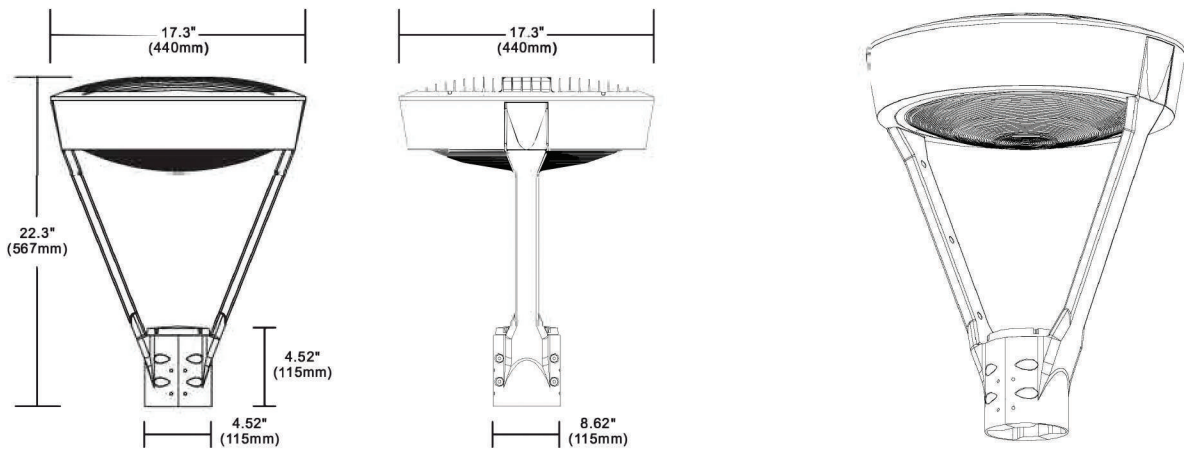
OPTIONS

Precision injection-molded, UV polycarbonate Optic Lens.

Optional photocell with adder.

Optional 347V with adder.

DIMENSIONS



Cooling channels allow vertical airflow



Optional Mount



Photo control

480V Max Receptacle

LIGHTING UP THE WORLD
WITH ONE BULB AT A TIME!