



GENERAL DESCRIPTION

LED Retrofit lamp is designed to retrofit traditional MH or HPS light bulbs with a E39 Mogual base, which will fit well to traditional street light housing, flood light, wall pack or other outdoor housings. with 130lm/W efficiency, and hanging wires to help it not fall off the fixture, also there is heat dissipation holes around the base, make it always low temperature while working. ideal for replacing 60-400W traditional bulbs.



APPLICATION

Retrofit replacement for outdoor fixture MH bulbs or HPS bulb.

ELECTRIC CHARACTERISTIC

Specification/Model	AL-RL27W120W50K	AL-RL36W120W50K	AL-RL54W120W50K
LED Chips		PHILIPS3030	
Input power	27W	36W	54W
Lumens output	3510LM	4680LM	7020LM
Efficiency	130LM/W	130LM/W	130LM/W
CRI	> 80RA		
Base	E26/E39/EX39		
Color Temperature	5000K		
Input voltage	100-277V UL Driver		
Light beam angle	180D		
Working temperature	-30-60°C		
Junction temperature	< 75°C		
lamps efficiency	≥90%		
Certificate	UL,CUL DLC		
Equivalent	60-100W MH/HPS	80-150W MH/HPS	120-175W MH/HPS

LIGHTING UP THE WORLD
WITH ONE BULB AT A TIME!

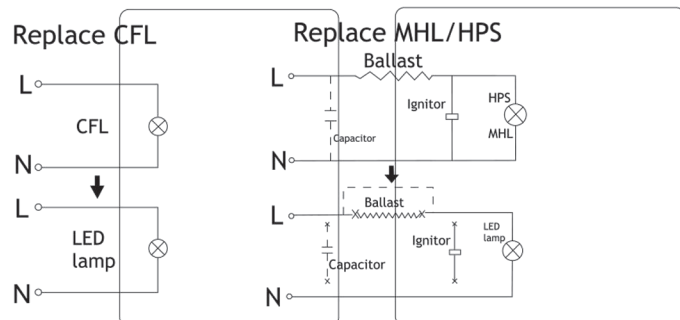
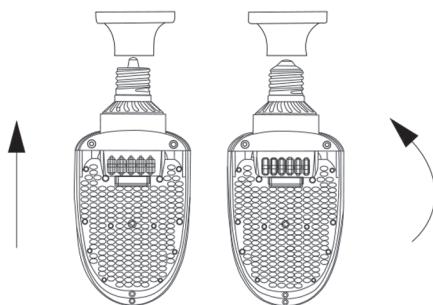
ELECTRIC CHARACTERISTIC

Specification/Model	AL-RL75W120W50K	AL-RL95W120W50K	AL-RL115W120W50K
LED Chips	PHILIPS3030		
Input power	75W	95W	115W
Lumens output	9750LM	12350LM	14950LM
Efficiency	130LM/W	130LM/W	130LM/W
CRI	> 80RA		
Base	E39/EX39		
Color Temperature	5000K		
Input voltage	100-277V UL Driver		
Light beam angle	180D		
Working temperature	-30-60°C		
Junction temperature	< 75°C		
lamps efficiency	≥ 90%		
Certificate	UL, CUL, DLC		
Equivalent	150-250W MH/HPS	200-300W MH/HPS	300-400W MH/HPS

ORDERING INFORMATION

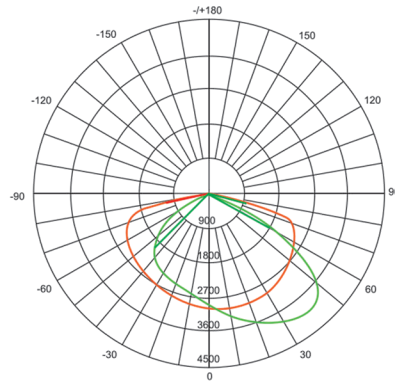
Product	Power	Replacement	Color Temperature	Base
AL-RL27W120W50K	27W	60-100W MH/HPS	40K=4000K 50K=5000K 57K=5700K	RL=Retrofit Lamp
AL-RL36W120W50K	36W	80-150W MH/HPS		
AL-RL54W120W50K	54W	120-175W MH/HPS		
AL-RL75W120W50K	75W	150-250W MH/HPS		
AL-RL95W120W50K	95W	200-300W MH/HPS		
AL-RL115W120W50K	115W	300-400W MH/HPS		

Connector options



LIGHTING UP THE WORLD
WITH ONE BULB AT A TIME!

Photometrics

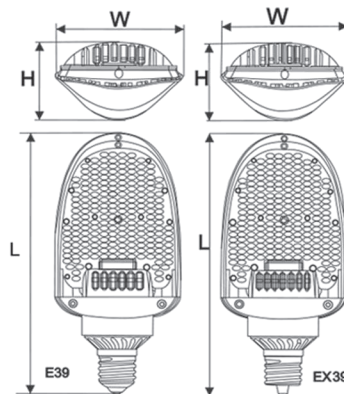


Projected LED Lumen Maintenance

Operating hours	0	25000	50000
Lumen maintenance factor	1	0.91	0.8

Data references the extrapolated performance projections for the Retrofit lamp LED platform in a 25°C ambient, based on 10,000 hours of LED testing (tested per IESNA LM-80-08 and projected per IESNA TM-21-11)

Dimensions



Power Base	27W	36W	54W	54W2	75W	95W	115W
E26	233*113*80	233*113*80	287*138*80	233*113*80			
E39	243*113*80	243*113*80	297*138*80	243*113*80	297*138*80	297*138*80	297*138*80
EX39	245*113*80	245*113*80	300*138*80	245*113*80	300*138*80	300*138*80	300*138*80

After-sale Service

The product refers to electricians' knowledge. Please don't disassemble it by yourself. If any quality problem happens, please contact the factory for warranty details.

NOTE: Actual performance may differ as a result of end-user environment and application, all values are without notice

LIGHTING UP THE WORLD
WITH ONE BULB AT A TIME!