

ADVANTAGES

- UL cUL certificate
- PHILIPS Chip, high CRI
- Mean Well IP65 driver, input voltage 347-480V
- No UV or IR in the beam
- Easy to install and operate
- Energy saving, long lifespan
- Light is soft and uniform, safe to eyes
- Instant start, NO flickering, NO humming
- Green and eco-friendly without mercury.

APPLICATION

Outdoor basketball court, tennis court, badminton court, the football field, the school playground, stadium, community leisure entertainment plaza, road lamp etc.

PRODUCT INFORMATION

Product name	LED Shoe Box Light
Part No	AL-ESB-480W
Light Type	Shoe Box Light
Dimension	624*634*126mm

LIGHTING UP THE WORLD
WITH ONE BULB AT A TIME!

TECHNICAL CHARACTERISTIC

Color temperature	4000K	5000K	5700K
CRI	>70		
Lumen	60000-62400LM		
Input Power	480W		
Viewing Angle	150*85 Degree (Type III)		
Input Voltage	347-480V/90-277V 50/60Hz		
Driver model	HLG-240H-48A (2PCS Mean Well Driver)		
PFC	>0.9		
Waterproof Rating	IP65		

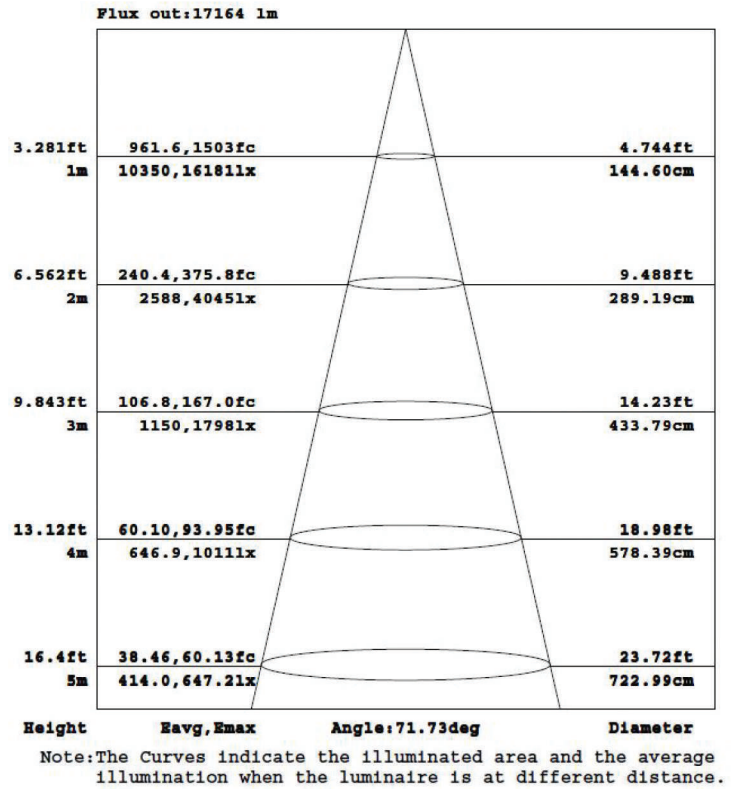
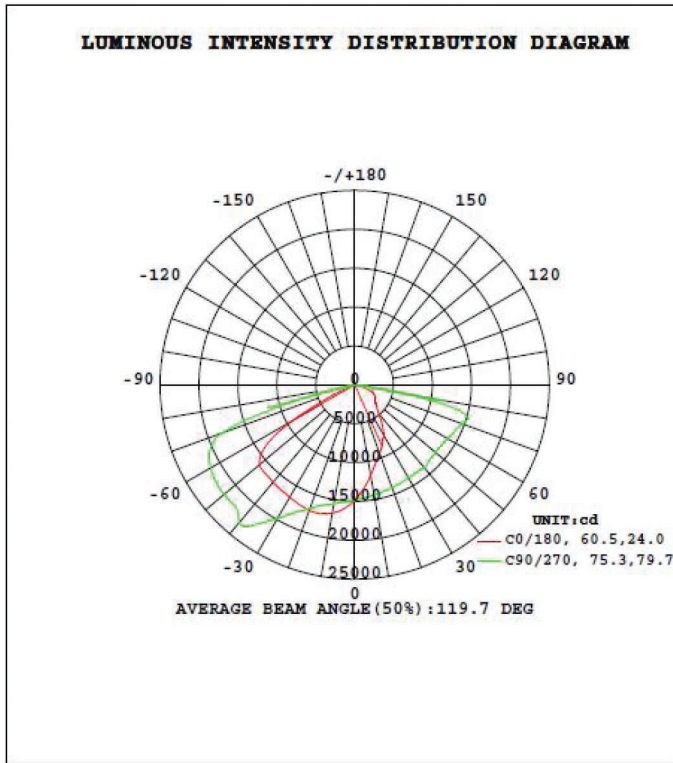
MATERIALS

LED Brand	PHILIPS
LED Type	3030, 1.5W
LED QTY	560
Housing	Aluminum
Housing color	Black
Operating Temperature	-20°C TO 45°C
Operating Humidity	20%-90% RH
Storage Temperature	-30°C TO 80°C

OTHERS

Storage Humidity	10%-95%
Application	Outdoor
Safety Certification	UL, cUL , DLC Pending
Warranty Time	5 Years

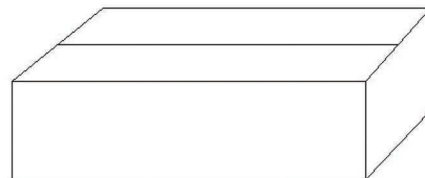
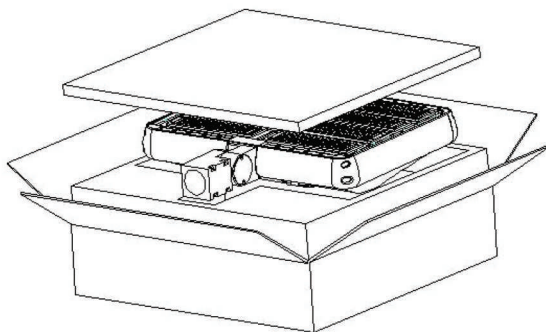
LIGHT DISTRIBUTION PARAMETERS



PACKAGE

Lamps Net Weight: 17.5Kg/pcs

	Size	Qty/Carton	Weight/Carton
Outer box	715*705*195mm	1	20.5 kg



LIGHTING UP THE WORLD
WITH ONE BULB AT A TIME!

NOTICE FOR USER

- ◆ Please turn off power before install or change assembly parts.
- ◆ The input voltage and lamps should be matched, after connecting the power line, Please make sure the wiring section is insulated.
- ◆ No-professionals, must not install and disassemble the lamps.

TROUBLE SHOOTINGS

Troubles	Check points
Flickering of the light	Turn off the power and turn on again in 3 minutes. If same phenomena occur, then call agencies
Out of working	Please check the connection