

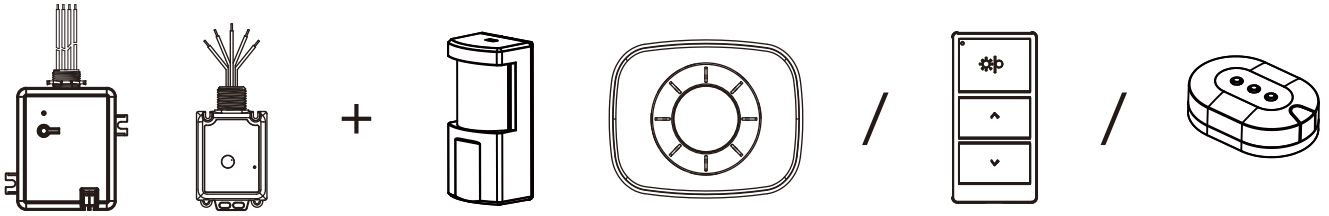
Wireless System Installation

V2.0

⚠ WARNING Shock Hazard. May result in serious injury or death. Turn off power at circuit breaker before installing the unit.

The wireless system includes

Power Pack 0-10V dimming module + At least one wireless transmitter.



PPA401S (10A) / PPA401PF(1A) Fixture Mounted Power Pack AC 120-277V 50-60HZ

BMS401 PIR Sensor Battery AAA

BCS401 PIR & Daylight Sensor Battery 123A

WP4013 Manual Dimmer Battery CR2032 3V

BDS401 Daylight Harvest Sensor Battery CR2450 3V

Note:

- 1.1 One Power Pack dimming module can be linked with 4 PIR sensors , 5 manual control dimmers , and 1 daylight sensor at most .
- 1.2 One wireless transmitter can control unlimited Power Packs during the RF communication distance , 100 feet at most .
- 1.3 Do not fixed install components before setting up all parameters ideally .
- 1.4 This system use Radio Frequency 433.96MHZ communication technology.
- 1.5 Once paired , the memory will keep forever , even power off .
- 1.6 Hold the PAIR/TEST button on dimming module for 5s , you will hear 4 beeps indicate exit all grouping , all memory lost .

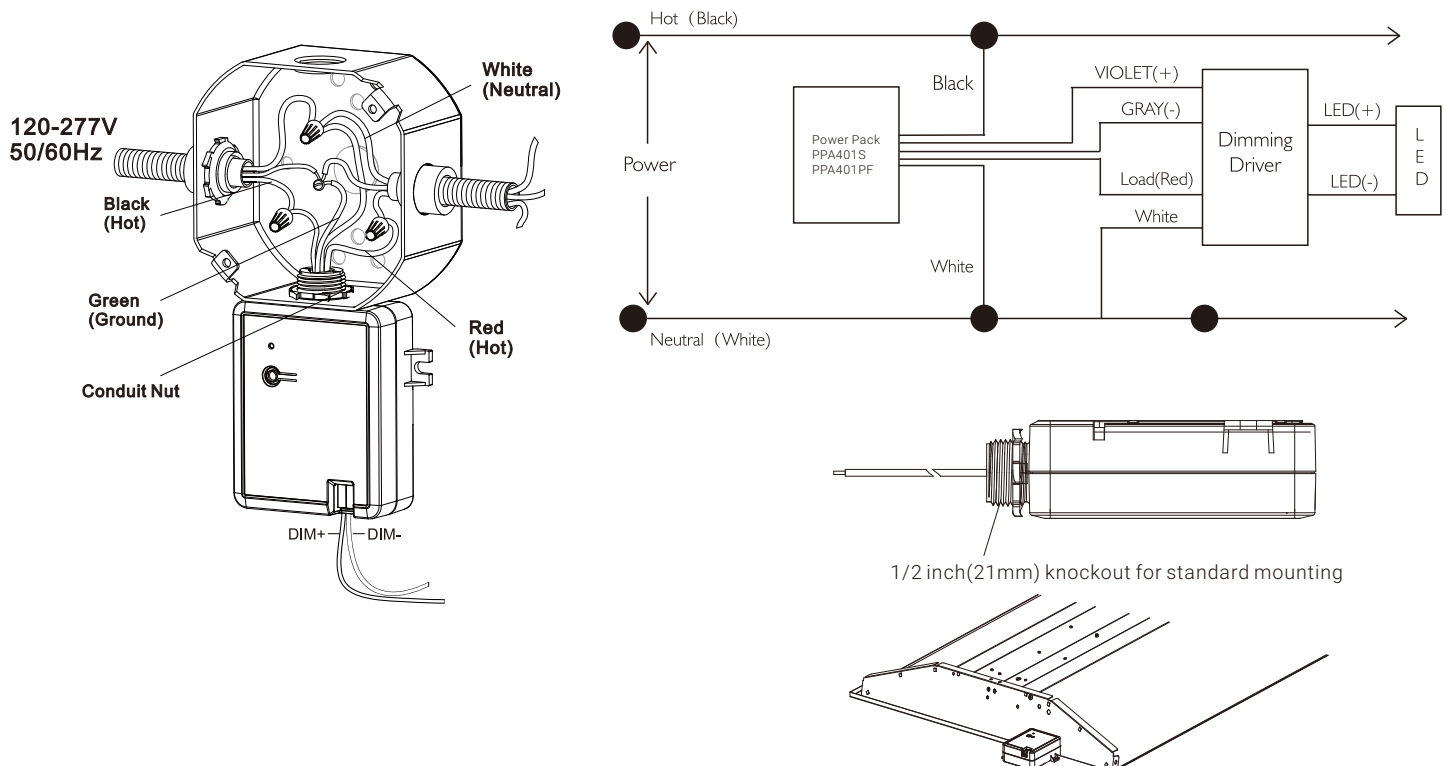
STEP 1: Install Power Pack 0-10V dimming module

Install in center of room to maximize RF coverage.

Note:

- 2.1 PPA401S with 10A relay is usually for multiple fixtures , PPA401PF with 1A relay is for per fixture .
- 2.2 After installing Power Pack , you have to switch on the power , the Power Pack will begin to run the test mode , lights soft on then soft off . After running test mode , there is 10s FREE Pair time , then begin next step .
- 2.3 *FREE Pair : Each time power up , after running test mode , the pair channel of Power Pack is open for 10s , you can FREE Pair any wireless transmitters with ALL Power Packs around (during the RF talking distance) by just holding the PAIR button on wireless transmitter , no need to push pair button on power pack .

Wiring Schematic



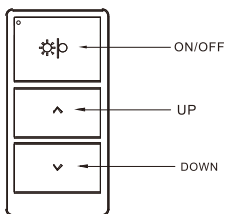
Note for dimming multiple fixtures :

- 2.4 If do not need dimming function , disconnect the purple and grey wire separately with a wire nut .
- 2.5 Connect all purple and grey wires together , feed into DIM+/DIM- terminals to dim lights in a row .

STEP 2: Connect Wireless Transmitters to Power Pack

NOTE : 3.1 Insure that in the same time there is only one system is being set up in the building , or transmitter from other system maybe linked incorrectly .

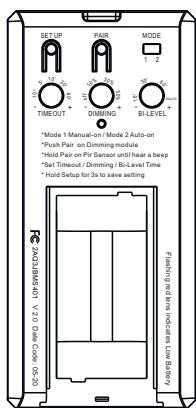
1 Pair the WP4013 wireless manual dimmer with Power Pack



Quick Setup :

1. Push PAIR on power pack, the small led on dimming module will flash quickly .
2. Push ON/OFF button for 3s to PAIR with power pack
You will hear a beep indicating the dimmer has linked with the power pack .
3. Try the buttons to see if light is successfully controlled

2 Pair the BMS401 wireless PIR sensor with Power Pack



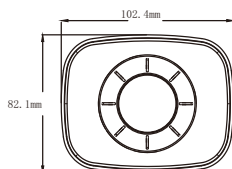
Mode 1 Occupancy Mode : Light need to be manually switched on with manual dimmer , delay time 30min , automatically off if no people detected in 30min . This mode is usually for meeting room .

Mode 2 Auto-Mode : Light automatically on once detect people , automatically off or go down to dimming level after people leave .

1. Push PAIR on Power Pack , the small led on dimming module will flash quickly .
2. Push PAIR on PIR sensor for 3s , you will hear a beep indicate the sensor has linked with the Power Pack
3. Set Timeout: 10s (as test mode) 5min 10min 30min 60min
Set Dimming level: Off , 10% , 30% , 50% (After people leave, light will turn off or dim down to this level)
Set Bi-Level: 10min, 30min, 60min, stay on
Hold SETUP for 3s to save setting , small LED on sensor will blink once indicate set up successfully.

Note:3.2 Every time you change settings , DO remember to HOLD SETUP for 3s to save .

3 Pair the BCS401 wireless PIR sensor with Power Pack

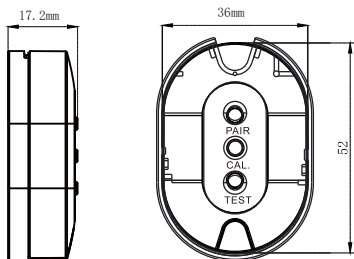


Quick Setup :

1. Push PAIR on Power Pack dimming module , the small led on dimming module will flash quickly .
2. Push PAIR on sensor until hear a beep indicate the sensor has linked with the dimming module .
3. For detail Mode setting , please refer to BCS401 manual .

IMPORTANT: If connect more than 1 PIR sensor (BMS401 and BCS401) to 1 power pack, DO remember set the same value of Timeout, Dimming level and Bi-level time for all PIR sensors.

4 Pair the BDS401 day light harvest sensor to Power Pack



1. Push PAIR on Power Pack 0-10V dimming module
2. Hold PAIR for 3s on Daylight Sensor until hear a beep.
3. Hold CAL. for 3s until red light flash to calibrate the daylight sensor, the sensor will collect the current light level , and dim the light according to this level in the future .
4. Hold TEST for 3s until red light flash to enter into test mode. Cover the sensor to see if lights dim up , shine the sensor to see if lights dim down . It takes about 10s to dim lights , if the performance is not good , hold the CAL. again to collect another light level .
5. Hold TEST again until red and green light flash to quit test mode
After quitting test mode , the daylight sensor will react and dim the lights every half an hour according to daylight level

Note :

- 3.3 If you have several sensors or dimmers need to pair , remember always need to push the PAIR/TEST button on dimming module first , then pair one transmitter a time .
- 3.4 You can skip any one of the step if you don't have the corresponding wireless transmitter .
- 3.5 If you want to add another wireless transmitter to the existing system , or quickly pair a lot of Power Packs , use FREE Pair function (see Note 2.3). Turn off the power , then turn on again , after running test mode , you will have 10s to add another wireless transmitter .

STEP 3: Mount the wireless transmitters

- 3.1 Mount PIR sensors: Insure the PIR sensors have a line-of-view of all room occupants (You can add up to 4 sensors to expand the detect range). Do NOT mount behind, or close to any hot object .
BMS401: Attach the sensor on any magnetic shelf or use screws to fix the rear cover on the wall then slide down the sensor .
BCS401: Use 3M adhesive or screw to fix the rear cover , then screw on the sensor .
- 3.2 Mount the daylight sensor : Use 3M adhesive to mount BDS401 sensor about 2m away from the window , the transparent cover should facing the window , so it will get enough natural sunlight . DO NOT mount too close to electric lights .