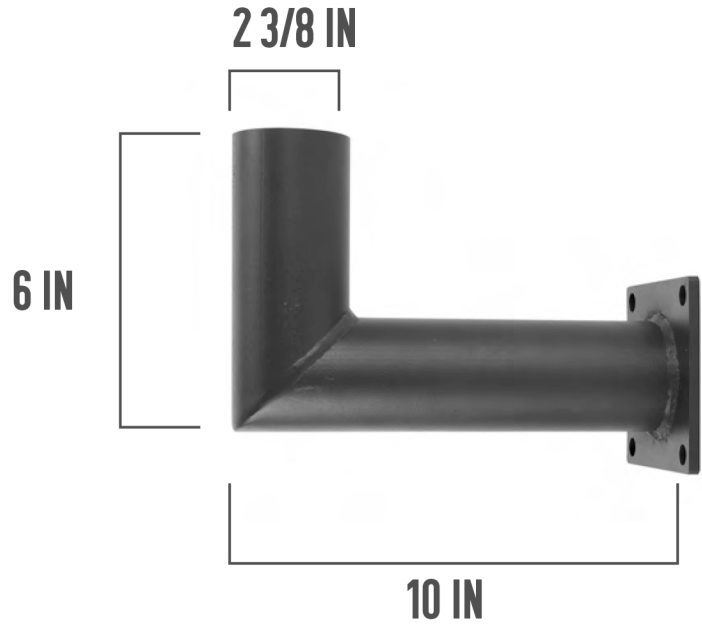


L SHAPE



SLIPFITTER TO A SQUARE POLE

