

0-10V Wireless Fixture Control Power Pack

This wireless lighting control is a RF device that control the 0-10V electronic fluorescent ballasts and LED drivers.

The control module mounts to a fixture or a US standard 1/2" knockout.

Communicate with RF input devices including wireless dimmer, wireless PIR occupancy/vacancy sensor and wireless daylight harvest sensor to control the lights and achieve 60% energy saving.

Application

- Suitable for small areas(e.g.,classrooms, conference rooms,private offices).

Model Number

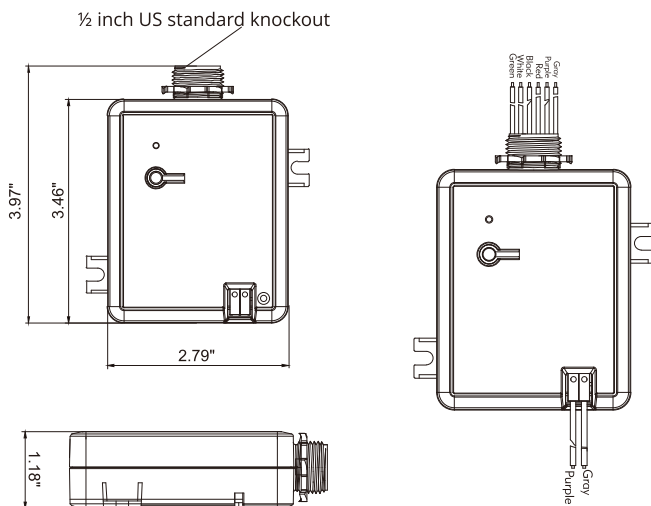
Model Number	Description
PPA401S	Power Pack with Single 0-10V output, 10A Relay, 120-277V
WP4013	3 Key dimmer, 1pc CR2032 battery powered
BMS401	Wall mount PIR sensor, 2pcs AAA battery powered
BCS401	Ceiling mount PIR sensor, 1pc CR123A powered
BDS401	Daylight harvest sensor, 1pc CR2450 battery powered

Specification

Input Voltage	120~277V AC 50/60Hz
Standby Power	0.6W
Output Signal	Single 0-10V Dimming
Output	Switch Rating 10A
Max. Power	2000W
Operating Temperature	32-104F
Application	IP40 Indoor
Communication	
Frequency Band	433Mhz
Transmission Range	30m 100ft

Line Drawing

Unit: inch





 UL Listed Component
 Conforms to UL Standard 8750
 Radio Frequency
 FCC Part 15.231-
 Remote Control Transmitter
 ICC 2AQ3JPPA401S

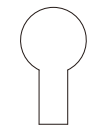
Label

0-10V Wireless Dimming Module
PPA401S

Input Voltage: 120-277V~50/60Hz
 Input Current: 10A
 Input Power: 2500W
 Output Voltage: 120-277V~50/60Hz
 Output Current: 8A
 Output Voltage: 0-10V

 Appliance Controls
 E495877


FCC ID : 2AQ3JPPA401S


 PAIR/TEST

BLACK (LINE)
 WHITE (NEUTRAL)
 RED (LOAD)
 GREEN (GROUND)

WARNING:
 Disconnect power before servicing.
 Install in accordance with National and Local Electrical Codes.
 For Connections Use Wire Rated for at Least 90° C.

GROUNDING:
 Green wire must be grounded.
 MADE IN CHINA

 0-10V/0-10V DIM
 Purple Gray

 MAX 10-16 AWG TO LED DRIVER BALLAST
 MAX 10-16 AWG TO LED DRIVER BALLAST

Wiring

