

Keilton + autani

IFS105E Series

Integrated Round 12V

Low Bay EcoSensor



IFS105E
(Lens sold separately)

Description

IFS105E Eco Sensor can not work alone, it has to be working with Keilton smart driver or FA102 fixture adapter. EcoSensor combines PIR and Daylight Sensor into one. PIR Occupancy Sensor: Support setting delay time and Bi-Level dimming of the sensors through APP. Daylight Harvesting: daylight sensor allows for continuous dimming according to desired light level.

Features

- Eco Sensors provide both PIR sensing and daylight harvesting in one convenient form factor
- PIR occupancy sensor supports setting delay time and bi-level dimming of sensors through the Keilton+autani app
- Daylight harvesting provides energy savings by dynamically dimming lights in daylighted areas

Requirements

- Requires LBL2 lens (not included)
- Must be paired with a Keilton smart driver, or an FA102 fixture adapter with 0-10V dim-to-off driver, or a PPA102S
- Requires both a CC (sensor) cable and FC (fixture) cable when paired with an FA102 (not included)

Specifications

Input Voltage	DC 12V
Input Power	0.1W
Housing Material	UL 94-V0
Detection Range	28ft diameter maximum for major motion
Mounting Height	8-15ft recommended
Indoor/Outdoor Use	Indoor
Operating Temperature	-30°C to 55°C, -22°F to 131°F
Storage Temperature	-30°C to 85°C, -22°F to 185°F
IP Rating	FA102/MWS105E/IFS105E/IFS108E: IP20
Color	White
Warranty	5 year warranty
Compliance	UL8750, UL1376, RoHs
Safety	cULus Recognized Component LED Controller E504054 FCC ID: 2A26YLTKTVT2021 DID: D057145 DLC: NLTRC5KL0TN

Ordering Information

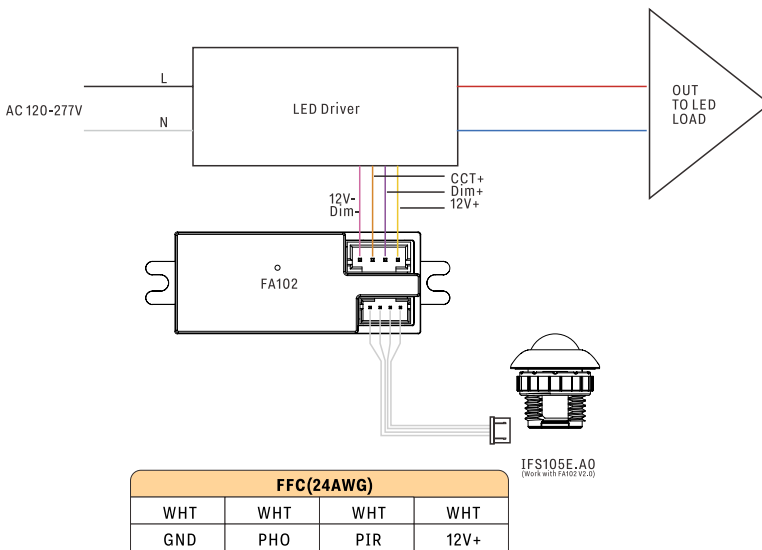
Model	Description	Works with	Mounting Height Range
IFS105E.A0	Integrated Round 12V Low Bay Eco Sensor	FA102.C2 PPA102S.C1 PPA102S.C2	8-15'

Ordering Information - Accessories

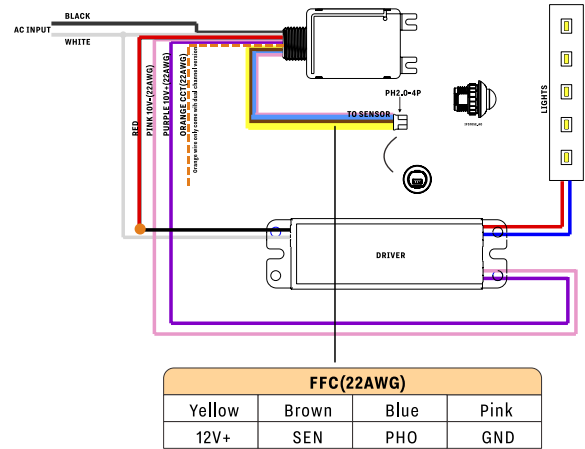
Model	Description
CC30 (for use with the FA102 only)	2468 24AWG white 300V 80°C Length:300mm, PH2.0-4P on both side cable between adaptor and sensor
CC60 (for use with the FA102 only)	2468 24AWG white 300V 80°C Length:600mm, PH2.0-4P on both side cable between adaptor and sensor
CC120 (for use with the FA102 only)	2468 24AWG white 300V 80°C Length:1200mm, PH2.0-4P on both side cable between adaptor and sensor
FC30 (for use with the FA102 only)	1007 22AWG white 300V 80°C Length:300mm, XH2.54-4P on left side cable between adaptor and driver, dip tin 10mm on right side
FC60 (for use with the FA102 only)	1007 22AWG white 300V 80°C Length:600mm, X H2.54-4P on left side cable between adaptor and driver, dip tin 10mm on right side
LBL2 Lens	For IFS105E, up to 15' mounting height

Wiring

FA102.C2

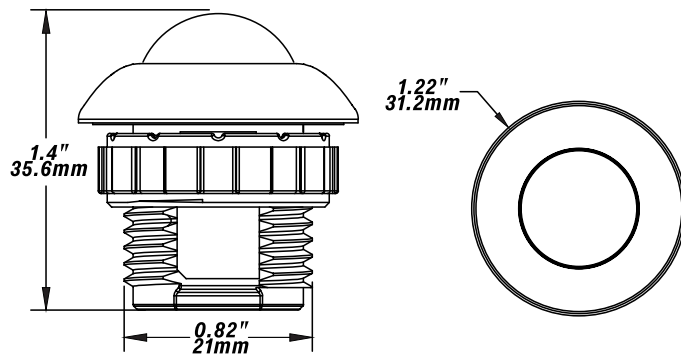


PPA102S.C1/.C2



Dimensions

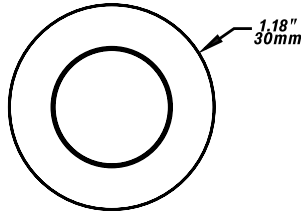
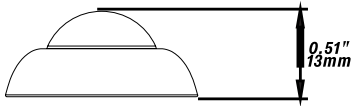
IFS105E



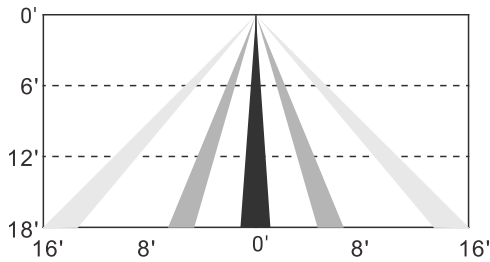
Coverage

Unit: inch/mm

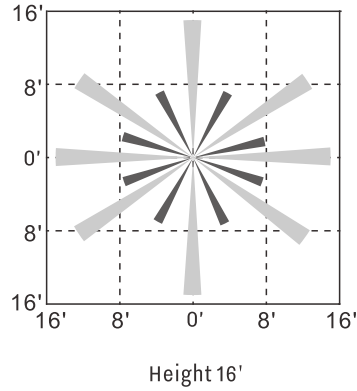
LBL2



Coverage Side View



Coverage Top View



Product Label

Keiton IFS105E
+auton
Input 12VDC, 3mA Keiton
Eco Sensor Driven by
FA102/FA102-W V2.0 or Smart Driver
(can not work alone)
Made in China

WHT	12V
WHT	PIR
WHT	PHO
WHT	GND

The Bluetooth word mark and logos are registered trademarks owned by Bluetooth SIG, Inc. and any use of such marks by LiteTrace is under license. Other trademarks and trade names are those of their respective owners.

App Download



Due to our continued efforts to improve our products, specifications are subject to change without notice.