

Keilton + autani

PPA102S Series Line Voltage 6A Bluetooth Fixture Controller



PPA102S.B1
PPA102S.C1
PPA102S.C2



PPA102S.F1

Description

The PPA102S Series Bluetooth Fixture Controller enables seamless conversion of luminaires to wireless control for integration with the Keilton+autani system. Device settings and commissioning are configured through the Keilton+autani mobile application. Eco Sensor connectivity options include a PH2.0 port for plug-and-play, direct wire termination, or daisy-chain networking utilizing the RJ45 connector.

Features

- 120-277VAC or 120-347VAC Input
- Integrated 6A relay
- Offers 12V, 200mA output power to sensors
- Attaches with standard 1/2" knockout
- Provides 0-10VDC dimmable single or dual channel output

Specifications

Bluetooth Transmit	200ft Max
Bluetooth Version	5.0
Radio Frequency	2.4GHz ± 75MHz
Housing Material	UL 94-5VA
Indoor/Outdoor Use	Indoor Use Only
Operating Temperature	-30°C to 65°C, -22°F to 149°F
Storage Temperature	-30°C to 85°C, -22°F to 185°F
IP Rating	IP20
Color	White
Warranty	5 year warranty
Compliance	UL8750, UL2043, RoHS

Safety

cULus Listed LED Controller E504054
FCC ID: 2A26YLTKTVT2022
DID: D061367
DLC: NLTRC5KLOTN

Ordering Information

Model	Sensor Input	Voltage	Relay Rating	Line Voltage Wire Gauge	0-10V Wires	Dual 0-10V (CCT Tunable)	PH2.0 ECO CONNECTOR**	RJ45 ECO***
PPA102S.B1	Microwave****	120-277V	6A	18 Gauge	X		X	
PPA102S.C1	PIR + DLH*				X		X	
PPA102S.C2					X	X	X	
PPA102S.F1		120-347V			X		X	

* PIR + DLH - PIR Occupancy Sensing and Daylight Harvesting

** PH2.0 ECO CONNECTOR - Used to plug directly into the ECO-Sensor family of sensors

***RJ45 ECO - RJ45 jack provided for using CAT5 cable to connect one or daisy chain multiple ECO-Sensor products (requires RTP splitter, sold separately)

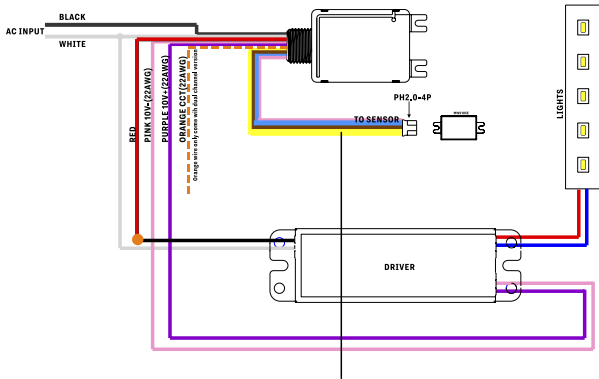
****Adjustable sensitivity, does not support DLH

Ordering Information - Accessories

Model	Description	Works With	Mounting Height Range
MWS105E	Microwave In-Fixture Sensor	Microwave Models Only	8-20'
IFS105E.AO	Round, 1/2" KO Sensor	DLH* Compatible Power Packs	8-12'
IFS105HE.AO	Round, 1/2" KO High Bay Sensor		12-25'
IFS108E.AO	OEM Install Rectangular Sensor		8-12'
RTP	Converter from RJ45 to PH2.0 connector (supports daisy chaining of devices)		N/A
EFS107E.AO	Low-Voltage, Dual-Tech Ceiling Sensor	Works with PPA102S.F1 only	8-12'
MS107E.AO	Low-Voltage, Dual-Tech Wall/Ceiling Sensor		Varies

Wiring

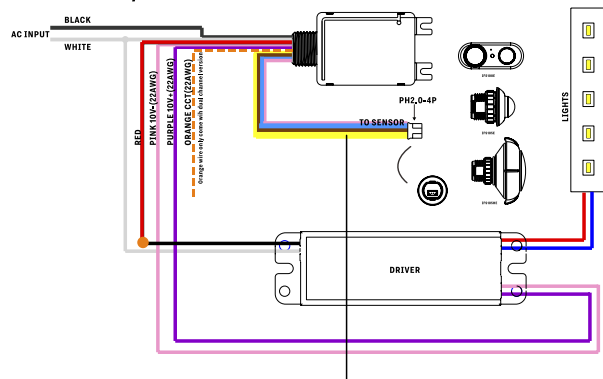
PPA102S.B1



FFC(22AWG)

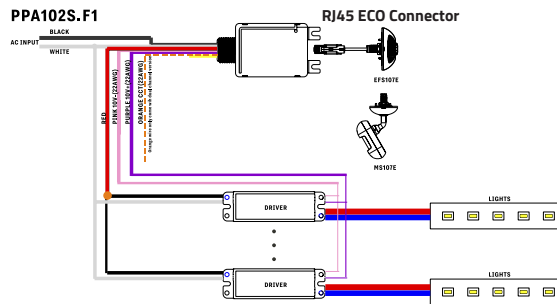
Yellow	12V+
Brown	Sensitivity for MW sensor
Blue	Sensor
Pink	GND

PPA102S.C1/.C2



FFC(22AWG)

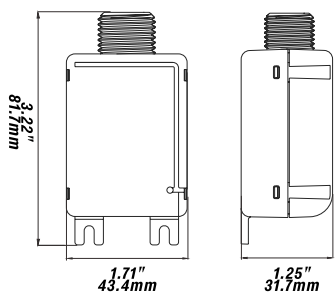
Yellow	12V+
Brown	Sensor
Blue	Photosensor
Pink	GND



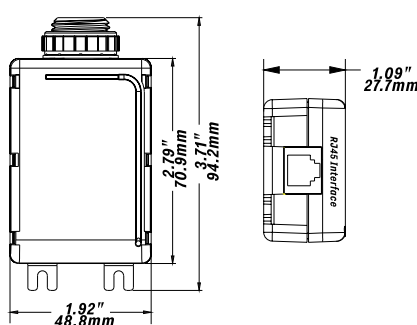
Dimensions

Unit: inch/mm

PPA102S.B1/.C1/.C2



PPA102S.F1



1/2 inch US standard knockout

Socket Mounting Dimensions

Size	T.P.I	Major Dia.
	inch	inch
R1/2	14	0.825

Product Label

RED	LT
BK	L
WH	N
YEL	12V+
BRO	SEI
BLUE	SEN
PUR	10V+
PNK	GND

Keiton + autani PPA102S.B1
Fixture Controller Sensor Ready
INPUT VOLTAGE:120-277VAC
FREQUENCY:50/60Hz
INPUT CURRENT:6A Max
INPUT POWER:720-1662W
OUTPUT VOLTAGE:120/277VAC
OUTPUT CURRENT:8A Max
OUTPUT WATTAGE:720-1662w
AUX VOLTAGE:12VDC/0.2A
DIMMING OUTPUT:0-10V
AUX & DIMMING CLASS 2 Rated

Input type: Branch Circuit(mains)
Output type: Branch Circuit(mains)
Output load type: Switch mode LED driver
Wired control Circuits:Isolated

WARNING:
Install in accordance with the national and local electrical code, disconnect power before servicing. Damp Location

RESETE

CE, RoHS COMPLIANT, C UL US LISTED E86494 LED CONTROLLER, Bluetooth FC, FCC ID:2A26YLTXTV2022, Made in China

PPA102S.B1

Keiton + autani PPA102S.C1
Fixture Controller Sensor Ready
INPUT / OUTPUT:120-277VAC
FREQUENCY:50/60Hz
6A Max 720W @ 120V, 6A Max 1662W @ 277V.
AUX VOLTAGE:12VDC/200mA
DIMMING OUTPUT:0-10V
AUX & DIMMING CLASS 2 Rated

Input type: Branch Circuit(mains)
Output type: Branch Circuit(mains)
Output load type: Switch mode LED driver
Wired control Circuits:Isolated

RED	BK	WH	YEL	BRO	BLUE	PUR	PNK
LT	L	N	12V+	SEN	PHO	10V+	GND

RESETE

CE, RoHS COMPLIANT, C UL US LISTED E86494 LED CONTROLLER DAMP LOCATION MADE IN CHINA 07-22, Bluetooth FC, FCC ID:2A26YLTXTV2022, Install Guide

PPA102S.C1

Keiton + autani PPA102S.C2
Fixture Controller Sensor Ready
INPUT / OUTPUT:120-277VAC
FREQUENCY:50/60Hz
6A Max 720W @ 120V, 6A Max 1662W @ 277V.
AUX VOLTAGE:12VDC/200mA
DIMMING OUTPUT:0-10V
AUX & DIMMING CLASS 2 Rated

Input type: Branch Circuit(mains)
Output type: Branch Circuit(mains)
Output load type: Switch mode LED driver
Wired control Circuits:Isolated

RED	BK	WH	YEL	BRO	BLUE	PUR	PNK	ORG
LT	L	N	12V+	SEN	PHO	10V+	L	GND CCT1

RESETE

CE, RoHS COMPLIANT, C UL US LISTED E86494 LED CONTROLLER DAMP LOCATION MADE IN CHINA 07-22, Bluetooth FC, FCC ID:2A26YLTXTV2022, Install Guide

PPA102S.C2

Keiton + autani PPA102S.F1
Fixture Controller Sensor Ready
INPUT / OUTPUT: 120-277VAC
FREQUENCY:50/60Hz
6A Max 720W @ 120V, 6A Max 1662W @ 277V.
AUX VOLTAGE:12VDC/200mA
DIMMING OUTPUT:0-10V
AUX & DIMMING CLASS 2 Rated

Input type: Branch Circuit(mains)
Output type: Branch Circuit(mains)
Output load type: Switch mode LED driver
Wired control Circuits:Isolated

RED	BK	WH	YEL	BRO	BLUE	PUR	PNK
LT	L	N	12V+	SEN	PHO	10V+	GND

RESETE

CE, RoHS COMPLIANT, C UL US LISTED E86494 LED CONTROLLER DAMP LOCATION MADE IN CHINA 09-23, Bluetooth FC, FCC ID:2A26YLTXTV2022, ECO SENSOR PORT, Install Guide

PPA102S.F1

The Bluetooth word mark and logos are registered trademarks owned by Bluetooth SIG, Inc. and any use of such marks by LiteTrace is under license. Other trademarks and trade names are those of their respective owners.

App Download



Due to our continued efforts to improve our products, specifications are subject to change without notice.