

CRAFTMADE

Utility - UT56WW3M

56" Ceiling Fan with Blades

Finish: White



With its slender profile and sleek appearance the industrial-chic Utility is a striking example of minimalist design. The five-speed motor and three gracefully proportioned blades move a surprising amount of cooling air effectively and efficiently.

- 5-Speed Motor
- 12" Downrod (Included)
- 56" Blades in White Metal (Included)
- 5-Speed Wall Control (Included)
- Dual Mount (Flat or angled ceiling)

Specs

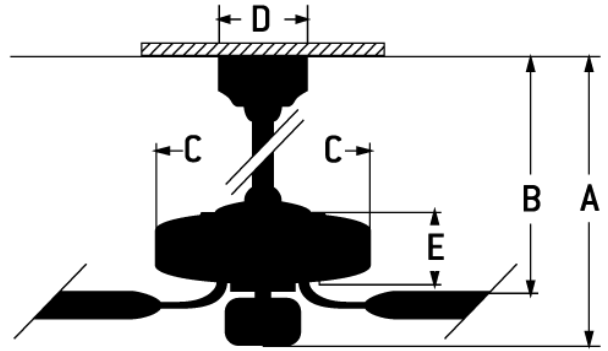
Blade Sweep Opt (in.)	56
Blades	3
Blade Pitch (°)	9
Motor Size (MM)	170x12
Amps at High Speed	0.61
Watts (Hi Speed)	72.90
Energy Guide CFM	3852
Energy Guide CFM_Watts	53
High Speed (CFM)	3852.44
Low Speed (CFM)	2568.90
Shipping Weight (lbs.)	14.51
Carton Size (CU FT)	1.28
Light Kit Options	Not Light Kit Adaptable

Dimensions

A:	18.07
B:	17
C:	7.87
D:	5.75
E:	6.60

F: w/o Light Kit -
Downrod Length (in.)


6.60
12



Downloads

Utility - UT56WW3M

 [PDF Tear Sheet](#)

 [Installation Guide](#)

 [Energy Guide](#)

ENERGY INFORMATION at High Speed		
Airflow 3852 Cubic Feet Per Minute	Electricity Use 73 Watts (excludes lights)	Airflow Efficiency 53 Cubic Feet Per Minute Per Watt
Compare: 49" to 60" ceiling fans have airflow efficiencies ranging from approximately 51 to 176 cubic feet per minute per watt at high speed.		
Money-Saving Tip: Turn off fan when leaving room		